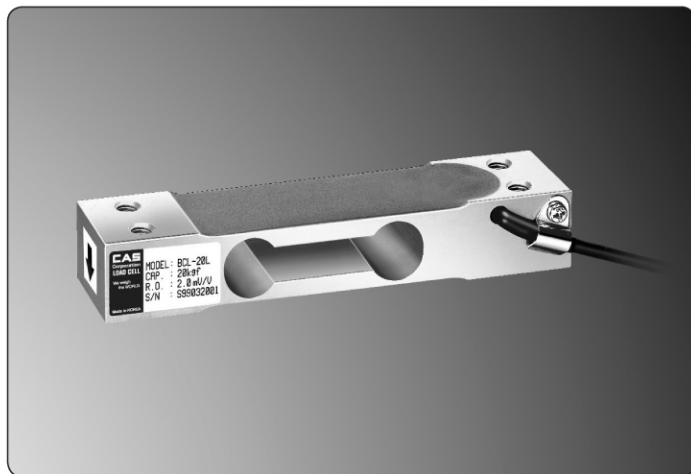
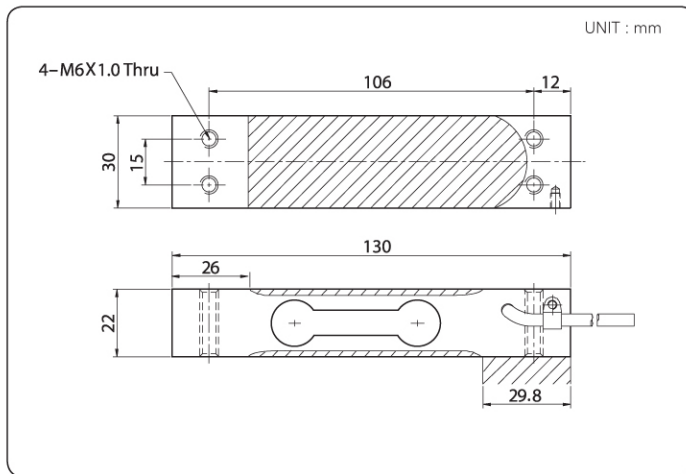




LOAD CELL



DIMENSION



FEATURES

- Off center compensated (OIML R76)
- Protection Class IP65
- Low profile
- Low cost

OPTIONS

- PTB and OIML C3 approved (OIML R60)
- 6-wires connection

050-2222-9733



SPECIFICATION

Max. Capacity (Rated Load)	kg	6, 10, 15, 20, 30	
Rated Output	mV / V	2.0 ± 0.2	
Zero Balance	mV / V	0.0 ± 0.1	
Accuracy Class	-	D3	C3
Non-Linearity	% R.O.	0.03	0.025
Hysteresis	% R.O.	0.03	0.025
Combined Error	% R.O.	0.03	0.025
Repeatability	% R.O.	0.01	0.01
Creep for 30min.	% R.O.	0.03	0.017
Return for 30min.	% R.O.	0.03	0.017
Resolution	-	≤ 1/3000	≤ 1/4000
Division	mV / V	0.00067	0.0005
Temperature Effect on	-	-	-
_Zero Value	% / 10°C	0.028	0.014
_Output Value	% / 10°C	0.014	0.011
Excitation	-	-	
_Recommended	V	10	
_Maximum	V	15	
Resistance	-	-	
_Input	Ω	400 ± 20	
_Output	Ω	350 ± 3.5	
_Insulation	MΩ	>2000	
Compensated Temperature Range	°C	-10 to +40	
Operating Temperature Range	°C	-20 to +70	
Material & Plate	-	Anodized Aluminum	
Cable Specification	-	ø4 x 4p x 60cm (P.V.C)	
Safety Overload	% R.L.	150% R.L.	
Platform Size	mm	300 x 300	