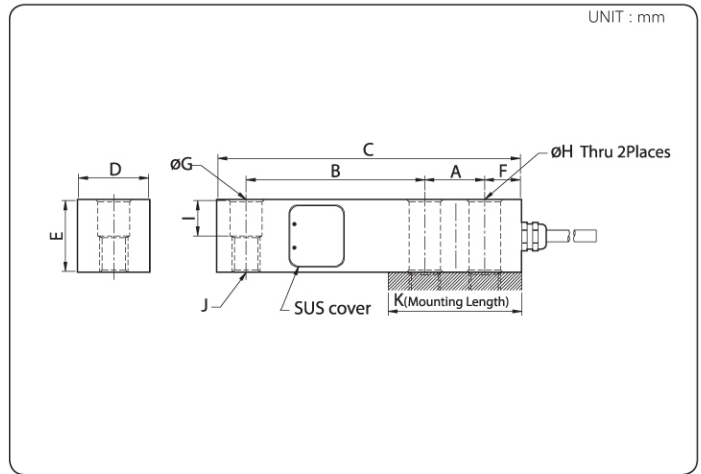




LOAD CELL



DIMENSION



FEATURES

- OIML C3 approved (OIML R60)
- Protection Class IP66
- Option : Imperial ver.
- Option : Tend ver.

ACCESSORY OPTION

- Bolt type_TW (Low : 250~2K, High : 3K~5K)
- Ball & Safety guide bar type_TWE (Low : 250~2K, High : 3K~5K)
- BSA - Pivot end Loading ver. (Low : 250~2K, High : 3K~5K)

Capa.	A	B	C	D	E	F	G	H	I	J	K
250kgf											
500kgf	25.4	76.2	130	32	32	15.8	13.5	13.5	16	M12 X 1.75	52
1tf											
2tf											
3tf	38.1	95.3	171.5	38	38	19	20	20	19	M18 X 1.5	76.2
5tf											

SPECIFICATION

Max. Capacity (Rated Load)	kgf	250, 500, 1K, 2K, 3K, 5K
Rated Output	mV / V	3.0 ± 0.0075
Zero Balance	mV / V	0.0 ± 0.03
Accuracy Class	-	D3 C3
Non-Linearity	% R.O.	0.03 0.025
Hysteresis	% R.O.	0.03 0.025
Combined Error	% R.O.	0.03 0.025
Repeatability	% R.O.	0.01 0.01
Creep for 30min.	% R.O.	0.03 0.017
Return for 30min.	% R.O.	0.03 0.017
Resolution	-	≤1/3000 ≤1/4000
Division	mV / V	0.001 0.00075
Temperature Effect on	-	-
_Zero Value	% / 10°C	0.028 0.014
_Output Value	% / 10°C	0.015 0.011
Excitation	-	-
_Recommended	V	10
_Maximum	V	15
Resistance	-	-
_Input	Ω	350 ± 3.5
_Output	Ω	350 ± 3.5
_Insulation	MΩ	>2000
Compensated Temperature Range	°C	-10 to +40
Operating Temperature Range	°C	-30 to +80
Material & Plate	-	Nickel Plated Steel
Cable Specification	-	∅5.4 x 4p x 5M (Urethane)
Safety Overload	% R.L.	150%R.L.
Platform Size	mm	Without Limit



P/F

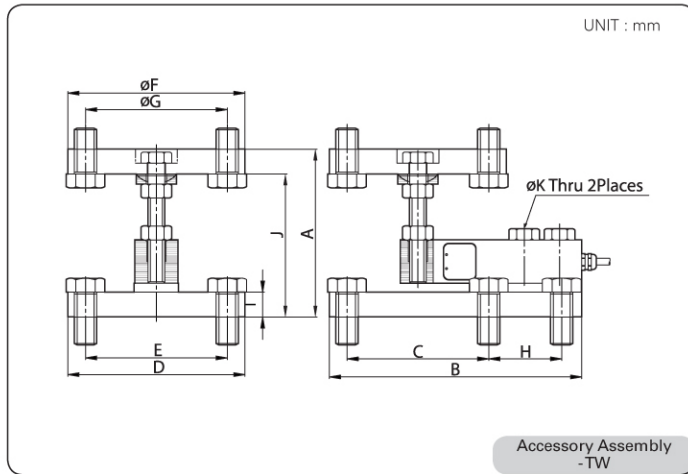


Hopper

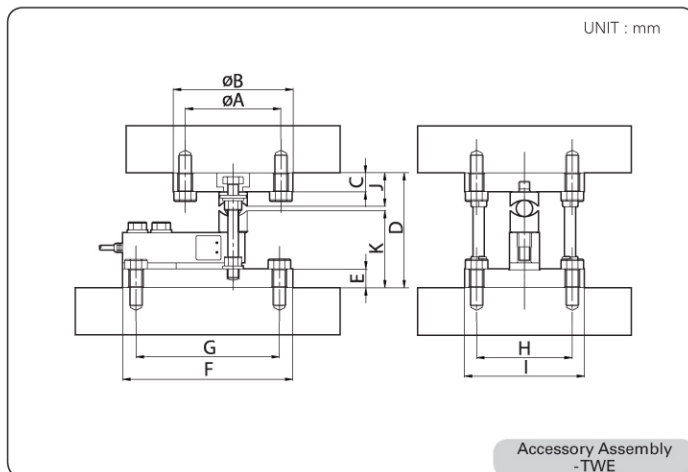


Tank

DIMENSION



Capa.	A	B	C	D	E	F	G	H	I	J	K
250kgf											
500kgf	101.6	180.9	101.6	101.6	101.6	127	101.6	52.3	17.8	83.8	M16
1tf	~114.3									~96.5	
2tf											
3tf	127.0	215.9	101.6	101.6	101.6	127	101.6	82.5	23.9	103.1	M16
5tf	~140.0									~116.1	



Capa.	A	B	C	D	E	F	G	H	I	J	K	L
250kgf												
500kgf	101.6	127	20	121.8	20	180.9	152.3	101.6	127	35	81.4	M16
1tf												
2tf												
3tf	101.6	127	26	154.6	24	215.9	184.1	101.6	127	45	94.6	M16
5tf												

