

BSH Shear beam load cell



Load Cell



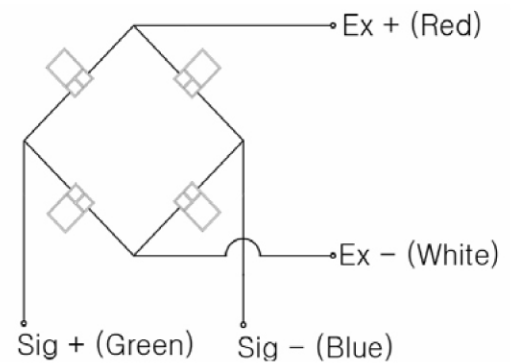
FEATURES

- ◆ Hammer head shear beam
- ◆ Link beam application
- ◆ Protection Class IP66

ACCESSORY OPTION

- ◆ No Accessory

CABLE COLOR CODE



SPECIFICATION

Max. Capacity (Rated Load)	kgf	500, 1k, 2k, 3k, 5k
Rated Output	mV/V	3.0 ± 0.0075
Zero Balance	mV/V	0.0 ± 0.03
Accuracy Class		
Non-Linearity	% R.O.	0.03
Hysteresis	% R.O.	0.03
Combined Error	% R.O.	0.03
Repeatability	% R.O.	0.01
Creep for 30min.	% R.O.	0.03
Return for 30min.	% R.O.	0.03
Resolution		$< 1/3000$
Division	mV/V	0.001
Temperature Effect on Zero Value	%/10°C	0.028
Output Value	%/10°C	0.015
Excitation		
Recommended	V	10
Maximum	V	15
Resistance		
Input	Ω	420 ± 20
Output	Ω	350 ± 3.5
Insulation	Ω	> 2000
Compensated Temperature Range	°C	-10 to +40
Operating Temperature Range	°C	-30 to +80
Material & Plate		Nickel Plated Steel
Cable Specification		$\phi 5.4 \times 4P \times 5M$ (Urethane)
Safety Overload	% R.L.	150% R.L.
Platform Size	mm	Without Limit