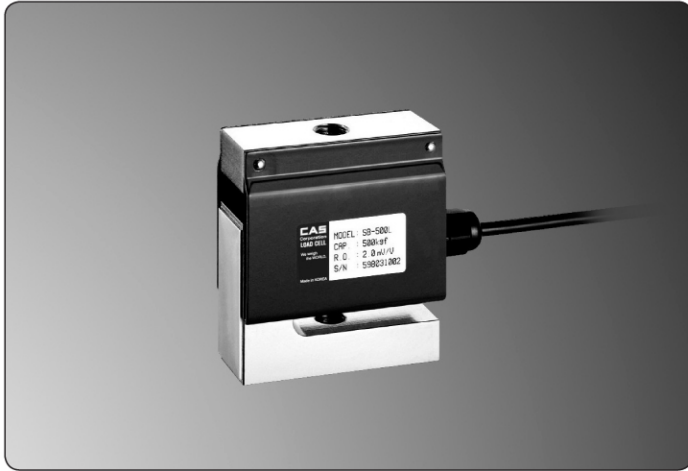


● LOAD CELL



● FEATURES

- Fully environmental protection
- Mechanical protection with steel cover
- Different in element material
Anodized aluminum (20kg~250kg)
Nickel plated steel (500kg~2tf)
- Tension type load cell

● ACCESSORY OPTION

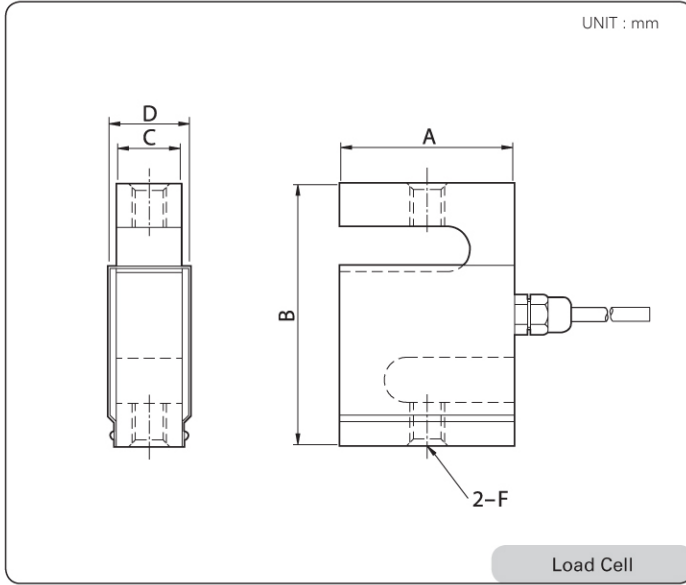
- Rod End (2~500 : M12 x 1.75)
- Rod End (1K~2K : M18 x1.5)

● SPECIFICATION

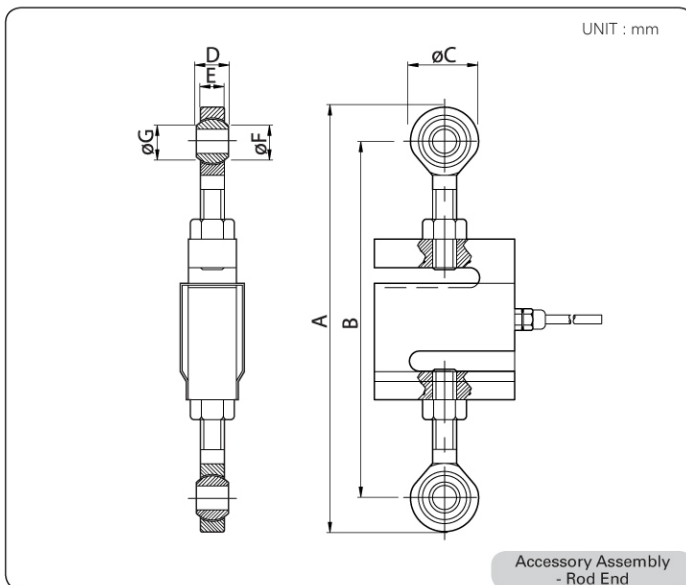
Max. Capacity (Rated Load)	kgf	20, 50, 75, 100, 200, 250, 500, 1K, 2K
Rated Output	mV/V	2.0 ± 0.005
Zero Balance	mV/V	0.0 ± 0.02
Accuracy Class	-	-
Non-Linearity	% R.O.	0.03
Hysteresis	% R.O.	0.03
Combined Error	% R.O.	0.03
Repeatability	% R.O.	0.01
Creep for 30min.	% R.O.	0.03
Return for 30min.	% R.O.	0.03
Resolution	-	≤1/3000
Division	mV/V	0.00067
Temperature Effect on	-	-
_Zero Value	% / 10°C	0.028
_Output Value	% / 10°C	0.015
Excitation	-	-
_Recommended	V	10
_Maximum	V	15
Resistance	-	-
_Input	Ω	430 ± 40
_Output	Ω	350 ± 3.5
_Insulation	MΩ	>2000
Compensated Temperature Range	°C	-10 to +40
Operating Temperature Range	°C	-30 to +80
Material & Plate	-	Anodized Aluminum, Nickel Plated Steel
Cable Specification	-	∅5.4 x 4p x 3M (Urethane-Jacket)
Safety Overload	% R.L.	150%R.L.
Platform Size	mm	No Platform Type



● DIMENSION



Capa.	A	B	C	D	F
20	70	80	24	32	M12 X 1.75
50					
75					
100					
200					
250	80	100	30	38	M18 X 1.5
500					
1K					
2K					



● ACCESSORY FEATURES

- Over load under 150%
- Easy Rod End installation
- Bearing included structure

● MANUAL

- Install the Rod End on the upper and bottom side of the Load Cell
- Do not insert the Rod End until the end
- The Rod End should be in a perpendicular with the force direction of the Load Cell

Capa.	A	B	C	D	E	F	G
20	211.6 (Max)	177.6 (Max)	34	16	12	12	15.4
50							
75							
100							
200							
250	308.6 (Max)	248.6 (Max)	60	23	22	18	21.9
500							
1K							
2K							

050-2222-9933