



LOAD CELL



FEATURES

- Compression load cell
- Hermetically sealed

ACCESSORY OPTION

- Load button type
- Ball type

50-2222-9933

SPECIFICATION

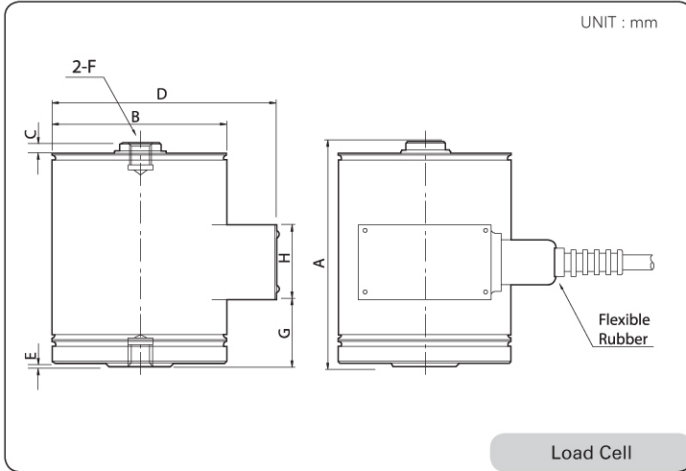
| Max. Capacity (Rated Load) | kgf | 20, 50, 100, 200, 300, 500, 1K, 2K, 3K, 5K, 10K, 20K | |
|-------------------------------|----------|--|---------|
| Rated Output | mV / V | 3.0 ± 0.003 | |
| Zero Balance | mV / V | 0.0 ± 0.03 | |
| Accuracy Class | - | A | B |
| Non-Linearity | % R.O. | 0.02 | 0.05 |
| Hysteresis | % R.O. | 0.02 | 0.05 |
| Combined Error | % R.O. | 0.02 | 0.05 |
| Repeatability | % R.O. | 0.01 | 0.02 |
| Creep for 30min. | % R.O. | 0.03 | 0.03 |
| Return for 30min. | % R.O. | 0.03 | 0.03 |
| Resolution | - | ≤1/5000 | ≤1/2000 |
| Division | mV / V | 0.0006 | 0.0015 |
| Temperature Effect on | - | - | - |
| _Zero Value | % / 10°C | 0.03 | 0.03 |
| _Output Value | % / 10°C | 0.03 | 0.03 |
| Excitation | - | - | |
| _Recommended | V | 10 | |
| _Maximum | V | 15 | |
| Resistance | - | - | |
| _Input | Ω | 350 ± 3.5 | |
| _Output | Ω | 350 ± 3.5 | |
| _Insulation | MΩ | >2000 | |
| Compensated Temperature Range | °C | -10 to +40 | |
| Operating Temperature Range | °C | -20 to +80 | |
| Material & Plate | - | Paint Finished steel | |
| Cable Specification | - | ø8 x 4p x 5M & ø8 x 4p x 10M (P.V.C - Jacket) | |
| Safety Overload | % R.L. | 150% R.L. | |
| Platform Size | mm | No Platform Type | |

CC

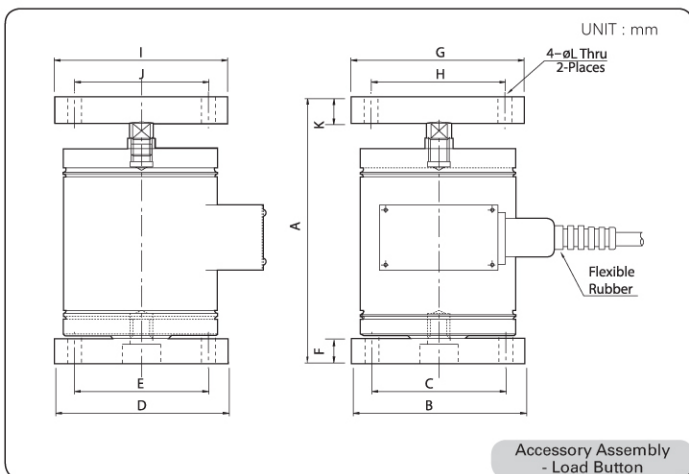
Canister Load Cell



● DIMENSION



| Capa. | A | øB | C | D | E | F | G | H | Cable(m) |
|-------|-----|-----|----|-----|-----|------------|-------|----|----------|
| 20 | | | | | | | | | 5 |
| 50 | 115 | 89 | 6 | 115 | 1.5 | M12 X 1.25 | 38.5 | 38 | |
| 100 | | | | | | | | | |
| 200 | | | | | | | | | |
| 300 | 115 | 89 | 5 | 115 | 1.5 | M12 X 1.25 | 35 | 38 | |
| 500 | | | | | | | | | 10 |
| 1K | | | | | | | | | |
| 2K | | | | | | | | | |
| 3K | 148 | 89 | 9 | 115 | 1 | M24 X 2.0 | 55 | 38 | |
| 5K | | | | | | | | | |
| 10K | 215 | 127 | 12 | 152 | 1.6 | M39 X 2.0 | 75.6 | 38 | |
| 20K | 290 | 165 | 15 | 193 | 1.6 | M50 X 2.0 | 107.6 | 38 | |



| Capa. | A | B | C | D | E | F | G | H | I | J | K | øL | Cable(m) |
|-------|-------|-----|-----|-----|-----|----|-----|-----|-----|-----|----|----|----------|
| 20 | | | | | | | | | | | | | 5 |
| 50 | | | | | | | | | | | | | |
| 100 | 153.7 | 100 | 77 | 100 | 77 | 15 | 100 | 77 | 100 | 77 | 15 | 8 | |
| 200 | | | | | | | | | | | | | |
| 300 | | | | | | | | | | | | | |
| 500 | | | | | | | | | | | | | 10 |
| 1K | | | | | | | | | | | | | |
| 2K | 210.3 | 130 | 105 | 130 | 105 | 23 | 130 | 105 | 130 | 105 | 23 | 12 | |
| 3K | | | | | | | | | | | | | |
| 5K | | | | | | | | | | | | | |
| 10K | 303 | 160 | 125 | 160 | 125 | 30 | 160 | 125 | 160 | 125 | 30 | 14 | |
| 20K | 375.5 | 200 | 150 | 200 | 150 | 30 | 200 | 150 | 200 | 150 | 30 | 14 | |



P/F



Hopper

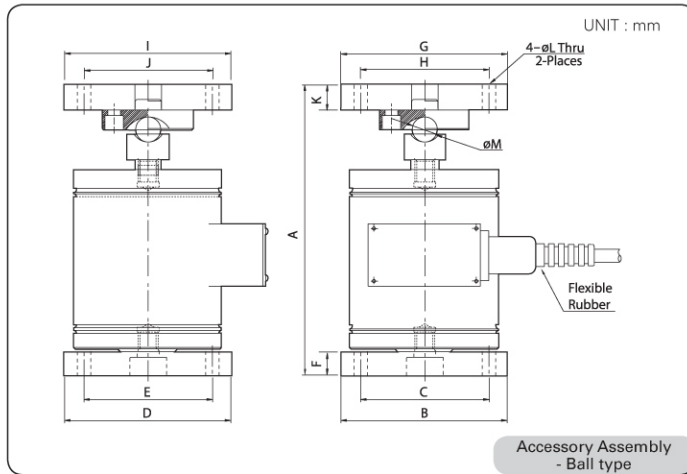


Tank



Truck

● DIMENSION



| Capa. | A | B | C | D | E | F | G | H | I | J | K | øL | øM | Cable(m) |
|-------|-----|-----|-----|-----|-----|----|-----|-----|-----|-----|----|----|----|----------|
| 20 | 175 | 100 | 77 | 100 | 77 | 15 | 100 | 77 | 100 | 77 | 15 | 8 | 15 | 5 |
| 50 | | | | | | | | | | | | | | |
| 100 | | | | | | | | | | | | | | |
| 200 | | | | | | | | | | | | | | |
| 300 | | | | | | | | | | | | | | |
| 500 | 252 | 130 | 105 | 130 | 105 | 23 | 130 | 105 | 130 | 105 | 23 | 12 | 30 | 10 |
| 1K | | | | | | | | | | | | | | |
| 2K | | | | | | | | | | | | | | |
| 3K | | | | | | | | | | | | | | |
| 5K | | | | | | | | | | | | | | |
| 10K | 333 | 160 | 125 | 160 | 125 | 30 | 160 | 125 | 160 | 125 | 30 | 14 | 30 | 10 |
| 20K | | | | | | | | | | | | | | |