

# HC

## Canister Load Cell



### LOAD CELL



### FEATURES

- Hermetically sealed
- Calibrated at real max. capacity

### ACCESSORY OPTION

- Accessory set

050-2222-9933

### SPECIFICATION

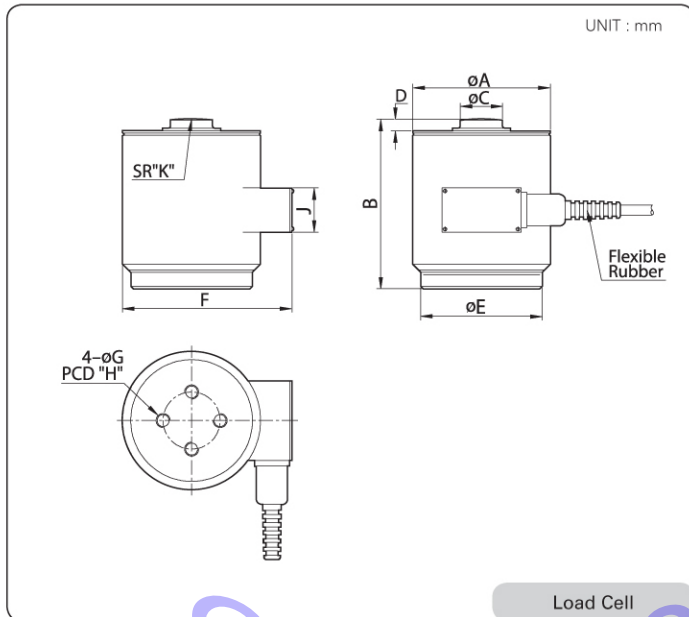
Max. Capacity (Rated Load)	tf	20, 30, 50,100, 200
Rated Output	mV / V	2.0 ± 0.002
Zero Balance	mV / V	0.0 ± 0.02
Accuracy Class	-	-
Non-Linearity	% R.O.	0.15
Hysteresis	% R.O.	0.15
Combined Error	% R.O.	0.15
Repeatability	% R.O.	0.1
Creep for 30min.	% R.O.	0.03
Return for 30min.	% R.O.	0.03
Resolution	-	≤1/700
Division	mV / V	0.0028
Temperature Effect on	-	-
_Zero Value	% / 10°C	0.03
_Output Value	% / 10°C	0.03
Excitation	-	-
_Recommended	V	10
_Maximum	V	15
Resistance	-	-
_Input	Ω	350 ± 3.5
_Output	Ω	350 ± 3.5
_Insulation	MΩ	>2000
Compensated Temperature Range	°C	-10 to +70
Operating Temperature Range	°C	-20 to +80
Material & Plate	-	Paint finished steel
Cable Specification	-	ø8 x 4p x 10M (PVC)
Safety Overload	% R.L.	150%R.L.
Platform Size	mm	No Without Limit

# HC

## Canister Load Cell

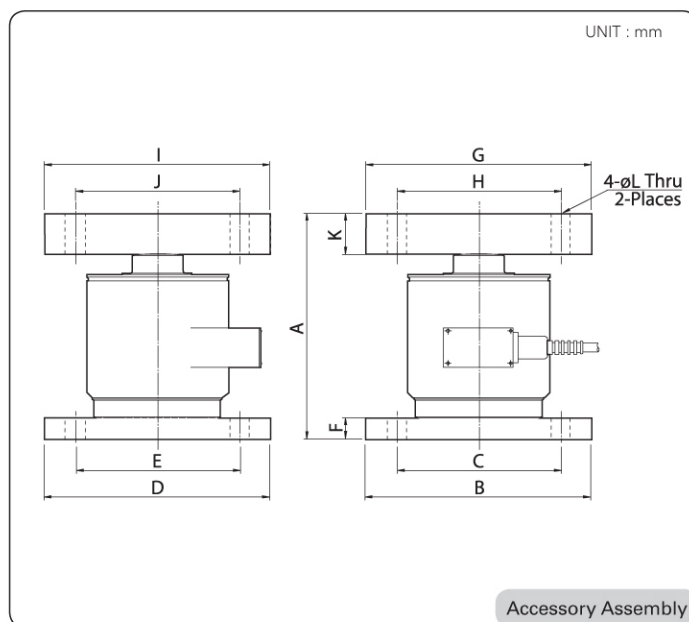


### ● DIMENSION



Load Cell

Capa.	A	B	C	D	E	F	G	H	I	J
20tf	118	145	36	10	104	150	M12 X 1.75	80	80	150
30tf	118	145	36	10	104	150	M12 X 1.75	80	80	150
50tf	138	160	50	20	124	170	M12 X 1.75	80	80	200
100tf	158	190	70	20	144	190	M16 X 2.0	38	38	200
200tf	214	230	95	30	188	249	M12 X 2.0	38	38	300



Accessory Assembly

Capa.	A	B	C	D	E	F	G	H	I	J	K	L
20tf	190	200	150	200	150	15	200	150	200	150	30	14
30tf	190	200	150	200	150	15	200	150	200	150	30	14
50tf	220	220	160	220	160	20	220	160	220	160	40	19
100tf	280	260	200	260	200	30	260	200	260	200	60	23
200tf	350	280	200	280	200	40	280	200	280	200	80	27

### ● ACCESSORY FEATURES

- High Durability
- Appropriate for Tank and Hopper application
- Designed with Safety Coefficient considerations

### ● MANUAL

- Load cell connection with the Mounting Plate
- Fix the Mounting plate on the surface
- Check the level of the Mounting Plate
- Place the Loading Plate over the Load Cell
- Check the value with a display system