

LS

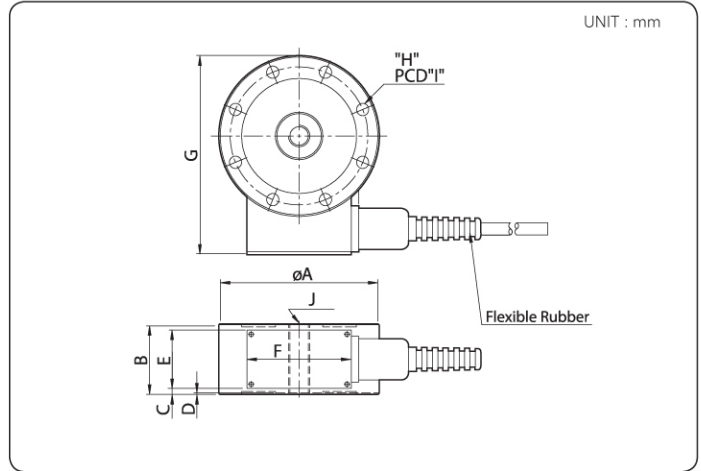
Pan Cake Load Cell



LOAD CELL



DIMENSION



FEATURES

- Hermetically sealed
- High reliability against fatigue and side force
- High accuracy grade
- Option : Exia IIC T5 Approved

ACCESSORY OPTION

- Accessory for compression
- Accessory for tension
- Ball type accessory

Capa.	A	B	C	D	E	F	G	H	I	H	Cable (m)		
1tf	112.0	46.0	4.0	1	38	68	141.5	8-ø7.1	97.2	M16 X 2.0	5.0		
2tf	120.0	46.0	4.0				149.9	8-ø9.0	103.2	M18 X 1.5	10.0		
3tf	138.0	60.0	11.0				169.5	8-ø11	117.6	M24 X 2.0			
5tf	184.0	80.0	21.0				218	8-ø14	157.6	M39 X 2.0			
10tf	200.0	60.0	11.0				234.5	8-ø14.5	170.0	M45 X 3.0			
20tf	278.0	90.0	2.0				314.3	8-ø16.3	229.0	M70 X 3.0			
30tf	355.0	108.0	35.0				392.2	8-ø26	298.0	M90 X 3.0			
50tf													
100tf													
200tf													

SPECIFICATION

Max. Capacity (Rated Load)	tf	1, 2, 3, 5, 10, 20, 30, 50, 100, 200
Rated Output	mV/V	2.0 ± 0.005
Zero Balance	mV/V	0.0 ± 0.020
Accuracy Class	-	D3 C3
Non-Linearity	% R.O.	0.05 0.02
Hysteresis	% R.O.	0.05 0.02
Combined Error	% R.O.	0.05 0.02
Repeatability	% R.O.	0.02 0.01
Creep for 30min.	% R.O.	0.03 0.03
Return for 30min.	% R.O.	0.03 0.03
Resolution	-	≤1/2000 ≤1/5000
Division	mV/V	0.001 0.0004
Temperature Effect on	-	- -
_Zero Value	% / 10°C	0.03 0.03
_Output Value	% / 10°C	0.03 0.03
Excitation	-	- -
_Recommended	V	10
_Maximum	V	15
Resistance	-	- -
_Input	Ω	350 ± 3.5
_Output	Ω	350 ± 3.5
_Insulation	MΩ	>2000
Compensated Temperature Range	°C	-10 to +40
Operating Temperature Range	°C	-30 to +80
Material & Plate	-	Paint finished steel
Cable Specification	-	ø8 x 4p x 5M(10M)
Safety Overload	% L.	150%L.
Platform Size	mm	No Platform Type

LS

Pan Cake Load Cell



P/F



Hopper

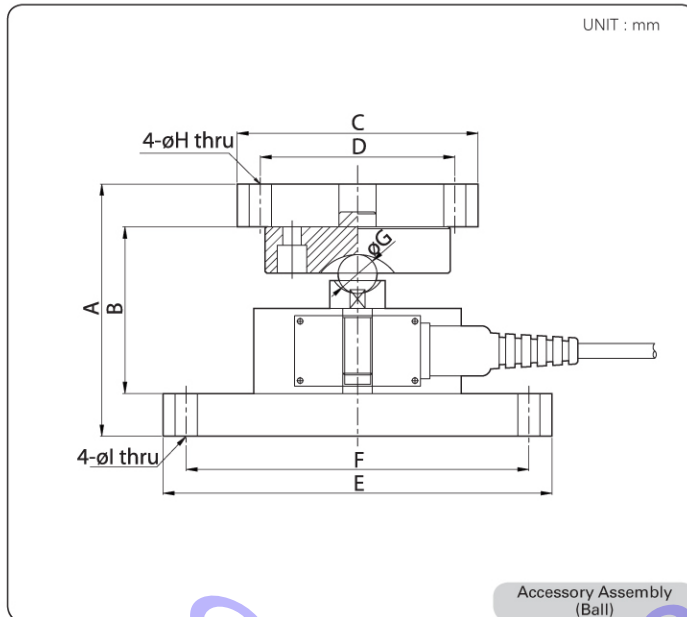


Tank

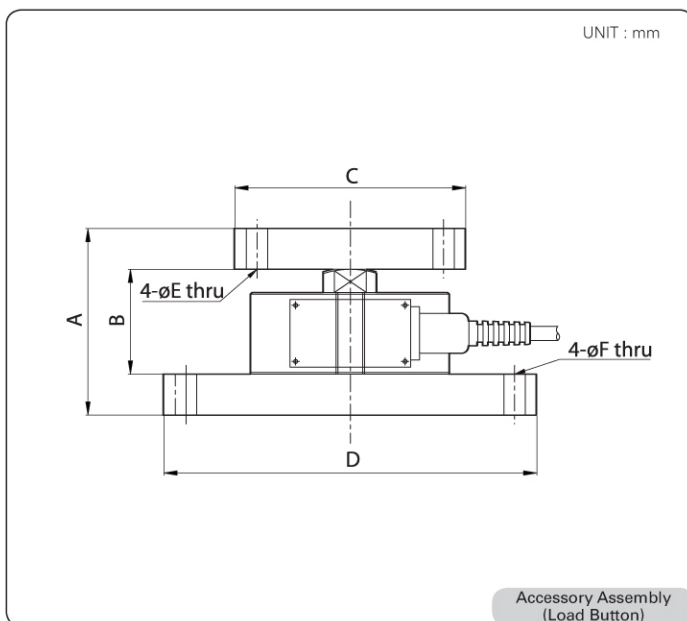


Truck

● DIMENSION



Capa.	A	B	C	D	E	F	øG	H	I
1tf	136.0	90.0	130.0	105.0	210 X 130	185 X 105	21.0	12	12
2tf									
3tf									
5tf	145.0	99.0	130.0	105.0	160.0	125.0	30.0	12	14
10tf	166.0	113.0			200.0	160.0			
20tf	196.0	143.0							
30tf									



Capa.	A	B	C	D	E	F
1tf	105.0	59.0	130.0	210 X 130	12.0	12.0
2tf						
3tf						
5tf	107.0	61.0	160.0	160.0	14.0	14.0
10tf	140.0	80.0				
20tf	175.0	115.0				
30tf						

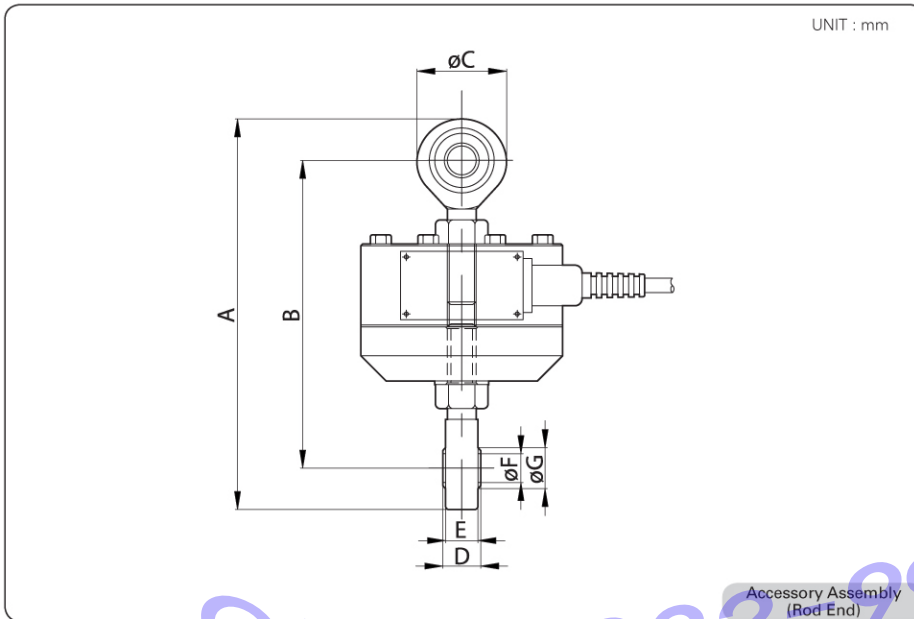
SINGLE POINT
 BENDING & SHEAR
 S-BEAM
 CANISTER
 PANCAKE & MINIATURE
 TRUCK & TANK WEIGHING
 SPECIAL APPLICATION

LS

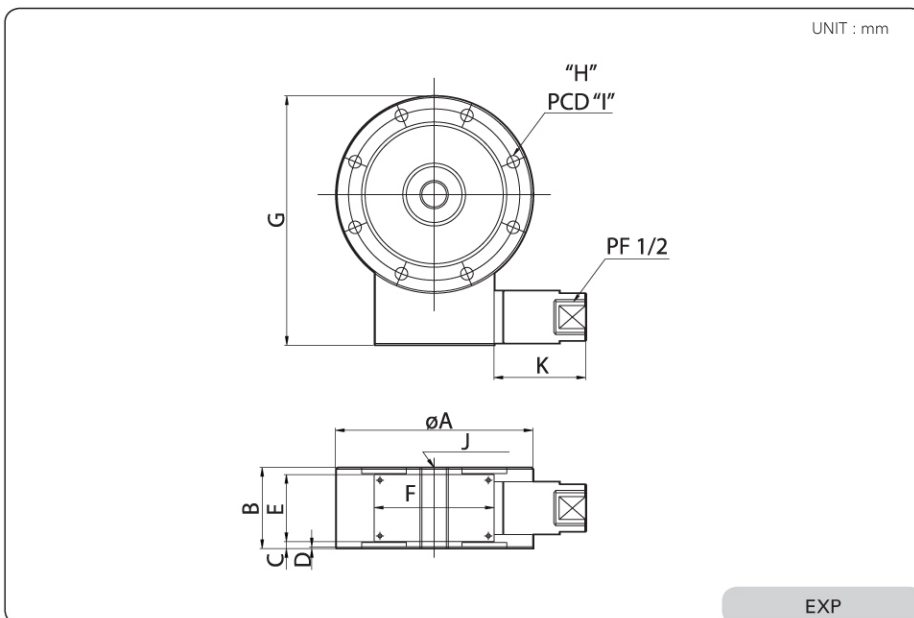
Pan Cake Load Cell



● DIMENSION



Capa.	A	B	C	D	E	F	G
1tf	216.7(Max)	170.7(Max)	50.0	21.0	18.0	16.0	19.3
2tf							
3tf							
5tf	257.0(Max)	197.0(Max)	60.0	23.0	22.0	18.0	21.9
10tf	430.0(Max)	328.0(Max)	102.0	28.0	27.0	22.0	25.8
20tf	558.0(Max)	423.0(Max)	135.0	40.0	38.0	39.0	45.0
30tf							



Capa.	A	B	C	D	E	F	G	H	I	J	K	Cable(m)
1tf	112.0	46.0	4.0	1.0	38.0	68.0	141.5	8- ϕ 7.1	97.2	M18 X 2.0	52	10.0
2tf							149.9	8- ϕ 9.0	103.2	M18 X 1.5		
3tf							169.5	8- ϕ 11.0	117.6	M24 X 2.0		
5tf	120.0	46.0	4.0	1.0	38.0	68.0	218.0	8- ϕ 14.0	157.6	M39 X 2.0	52	10.0
10tf	138.0	60.0	11.0				234.5	8- ϕ 14.5	170.0	M45 X 3.0		
20tf	184.0	80.0	21.0				314.3	8- ϕ 16.3	229.0	M70 X 3.0		
30tf	184.0	80.0	21.0	1.0	38.0	68.0	392.2	12- ϕ 26.0	298.0	M90 X 3.0	52	10.0
50tf	200.0	60.0	11.0				234.5	8- ϕ 14.5	170.0	M45 X 3.0		
100tf	278.0	90.0	2.0				314.3	8- ϕ 16.3	229.0	M70 X 3.0		
200tf	355.0	108.0	35.0	1.0	38.0	68.0	392.2	12- ϕ 26.0	298.0	M90 X 3.0	52	10.0