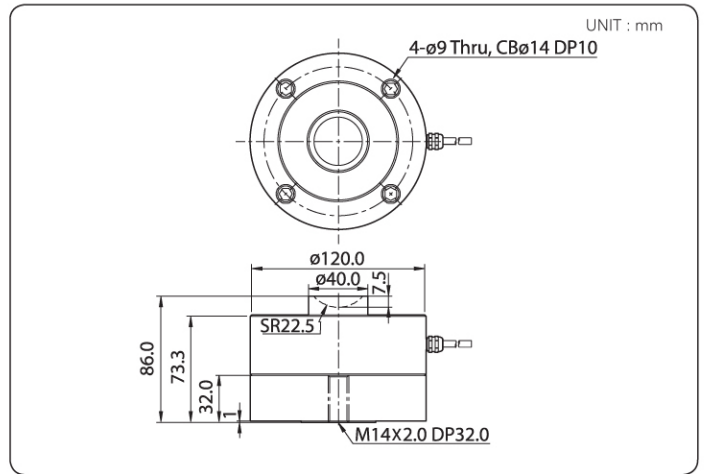




LOAD CELL



DIMENSION



FEATURES

- High output
- Low profile
- Integrated ball loading construction

050-2222-9933

SPECIFICATION

Max. Capacity (Rated Load)	tf	20
Rated Output	mV / V	4.0 \pm 0.01
Zero Balance	mV / V	0.0 \pm 0.04
Accuracy Class	-	-
Non-Linearity	% R.O.	0.03
Hysteresis	% R.O.	0.03
Combined Error	% R.O.	0.03
Repeatability	% R.O.	0.02
Creep for 30min.	% R.O.	0.03
Return for 30min.	% R.O.	0.03
Resolution	-	<1/3000
Division	mV / V	0.0013
Temperature Effect on	-	-
_Zero Value	% / 10 $^{\circ}$ C	0.03
_Output Value	% / 10 $^{\circ}$ C	0.03
Excitation	-	-
_Recommended	V	10
_Maximum	V	15
Resistance	-	-
_Input	Ω	420 \pm 30
_Output	Ω	350 \pm 3.5
_Insulation	M Ω	>2000
Compensated Temperature Range	$^{\circ}$ C	-10 to +40
Operating Temperature Range	$^{\circ}$ C	-20 to +80
Material & Plate	-	Nickel plated steel
Cable Specification	-	\varnothing 5.4 x 4p x 10M
Safety Overload	% L.	150%L.
Platform Size	mm	No Platform Type