

# LSC

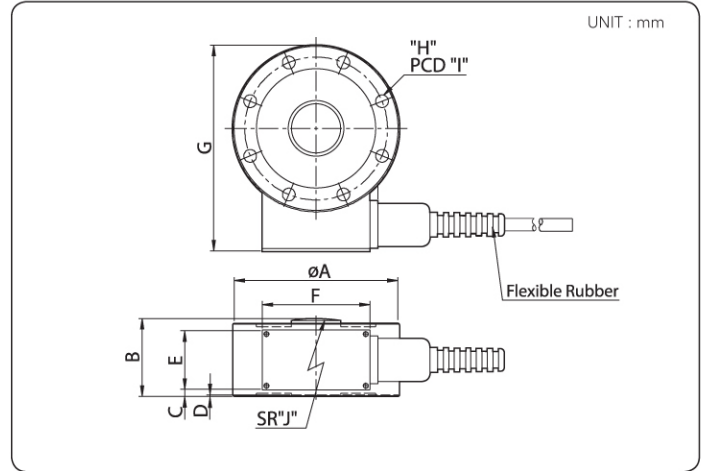
## Pan Cake Load Cell



### LOAD CELL



### DIMENSION



### FEATURES

- High output
- Hermetically sealed
- High reliability against side force
- Low profile
- Only compression application

### ACCESSORY OPTION

- No accessory

| Capa. | A     | B    | C    | D   | E    | F    | G     | H        | I     | J     | Cable (m) |
|-------|-------|------|------|-----|------|------|-------|----------|-------|-------|-----------|
| 2tf   | 105.0 | 35.0 | 3.0  | 1.0 | 30.0 | 65.0 | 131.0 | 8-ø7.0   | 90.0  | 100.0 | 5         |
| 5tf   | 120.0 | 45.0 | 2.0  | 1.0 | 38.0 | 68.0 | 150.4 | 4-ø9.0   | 104.5 | 100.0 |           |
| 10tf  | 120.0 | 45.0 | 2.0  | 1.0 | 38.0 | 68.0 | 150.4 | 4-ø9.0   | 104.5 | 100.0 | 10        |
| 20tf  | 120.0 | 45.0 | 2.0  | 1.0 | 38.0 | 68.0 | 150.4 | 4-ø9.0   | 104.5 | 100.0 |           |
| 50tf  | 190.5 | 57.2 | 6.4  | 1.0 | 38.0 | 68.0 | 225.2 | 12-ø13.5 | 159.0 | 200.0 |           |
| 100tf | 209.2 | 82.6 | 19.1 | 1.0 | 38.0 | 68.0 | 244.5 | 4-ø18.0  | 171.5 | 200.0 |           |

### SPECIFICATION

| Max. Capacity (Rated Load)    | tf       | 2, 5, 10, 20, 50, 100 |
|-------------------------------|----------|-----------------------|
| Rated Output                  | mV / V   | 3.0 ± 0.0075          |
| Zero Balance                  | mV / V   | 0.0 ± 0.03            |
| Accuracy Class                | -        | -                     |
| Non-Linearity                 | % R.O.   | 0.05                  |
| Hysteresis                    | % R.O.   | 0.05                  |
| Combined Error                | % R.O.   | 0.05                  |
| Repeatability                 | % R.O.   | 0.02                  |
| Creep for 30min.              | % R.O.   | 0.03                  |
| Return for 30min.             | % R.O.   | 0.03                  |
| Resolution                    | -        | <1/2000               |
| Division                      | mV / V   | 0.0015                |
| Temperature Effect on         | -        | -                     |
| _Zero Value                   | % / 10°C | 0.03                  |
| _Output Value                 | % / 10°C | 0.03                  |
| Excitation                    | -        | -                     |
| _Recommended                  | V        | 10                    |
| _Maximum                      | V        | 15                    |
| Resistance                    | -        | -                     |
| _Input                        | Ω        | 350 ± 3.5             |
| _Output                       | Ω        | 350 ± 3.5             |
| _Insulation                   | MΩ       | >2000                 |
| Compensated Temperature Range | °C       | -10 to +40            |
| Operating Temperature Range   | °C       | -20 to +80            |
| Material & Plate              | -        | Paint finished steel  |
| Cable Specification           | -        | ø8 x 4p x 5M(10M)     |
| Safety Overload               | % R.L.   | 150%R.L.              |
| Platform Size                 | mm       | No Platform type      |