

NMNC

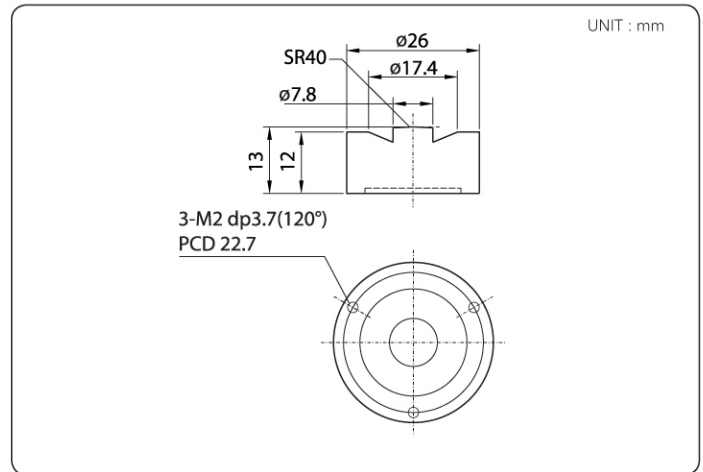
Sub-Miniature Load Cell



LOAD CELL



DIMENSION



FEATURES

- Stainless steel
- Compression application
- Protection class IP65

050-2222-9933

SPECIFICATION

Max. Capacity (Rated Load)	kgf	50, 100, 200, 500, 1K, 2K, 3K
Rated Output	mV/V	1.0 ± 0.1
Zero Balance	mV/V	0.0 ± 0.1
Accuracy Class	-	-
Non-Linearity	% R.O.	0.5
Hysteresis	% R.O.	0.5
Combined Error	% R.O.	0.5
Repeatability	% R.O.	0.1
Creep for 30min.	% R.O.	0.5
Return for 30min.	% R.O.	0.5
Resolution	-	<1/200
Division	mV/V	0.005
Temperature Effect on	-	-
_Zero Value	% / 10°C	± 0.028
_Output Value	% / 10°C	± 0.015
Excitation	-	-
_Recommended	V	10
_Maximum	V	15
Resistance	-	-
_Input	Ω	400 ± 20
_Output	Ω	350 ± 3.5
_Insulation	MΩ	>2000
Compensated Temperature Range	°C	-10 to +40
Operating Temperature Range	°C	-30 to +80
Material & Plate	-	Stainless steel, Buffing
Cable Specification	-	∅3 x 4p x 0.40M
Safety Overload	% L.	150%L.
Platform Size	mm	No Platform Type