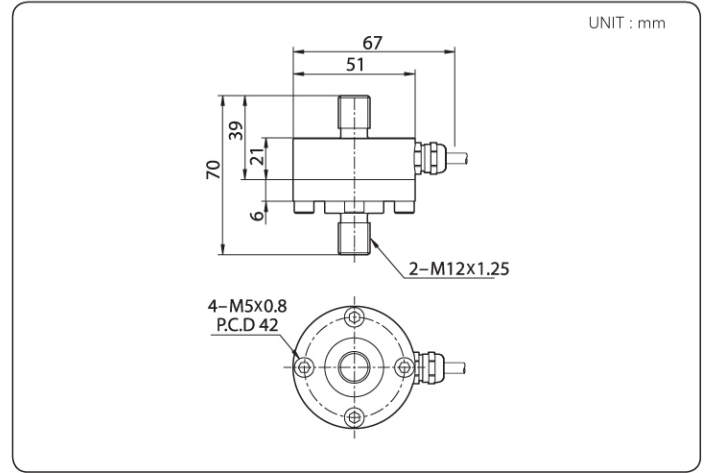




### LOAD CELL



### DIMENSION



### FEATURES

- Stainless steel
- Tension application
- Protection class IP65

050-2222-9933

### SPECIFICATION

Max. Capacity (Rated Load)	kgf	50, 100, 200, 500, 1K, 2K
Rated Output	mV / V	2.0 ± 0.005
Zero Balance	mV / V	0.0 ± 0.06
Accuracy Class	-	-
Non-Linearity	% R.O.	0.15
Hysteresis	% R.O.	0.15
Combined Error	% R.O.	0.15
Repeatability	% R.O.	0.05
Creep for 30min.	% R.O.	0.1
Return for 30min.	% R.O.	0.1
Resolution	-	<1/600
Division	mV / V	0.003
Temperature Effect on	-	-
_Zero Value	% / 10°C	0.05
_Output Value	% / 10°C	0.1
Excitation	-	-
_Recommended	V	10
_Maximum	V	15
Resistance	-	-
_Input	Ω	420 ± 30
_Output	Ω	350 ± 3.5
_Insulation	MΩ	>2000
Compensated Temperature Range	°C	-10 to +40
Operating Temperature Range	°C	-20 to +80
Material & Plate	-	Stainless steel, Buffing
Cable Specification	-	∅5.4 x 4p x 3M
Safety Overload	% R.L.	150% R.L.
Platform Size	mm	No Platform Type