

# DSB-B

## Truck and Tank Weighing Load Cell



P/F

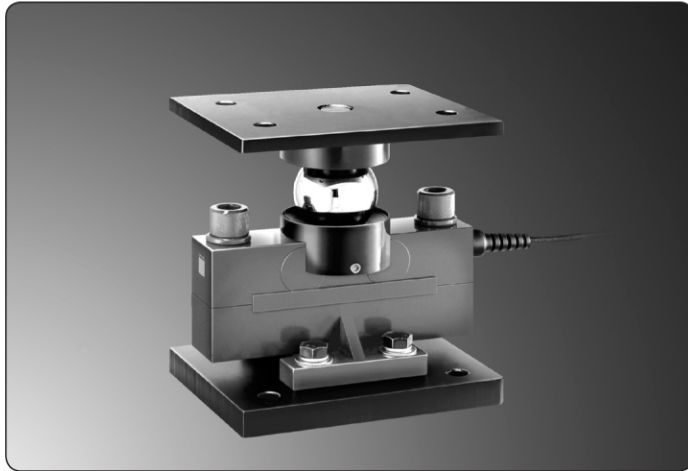


Tank

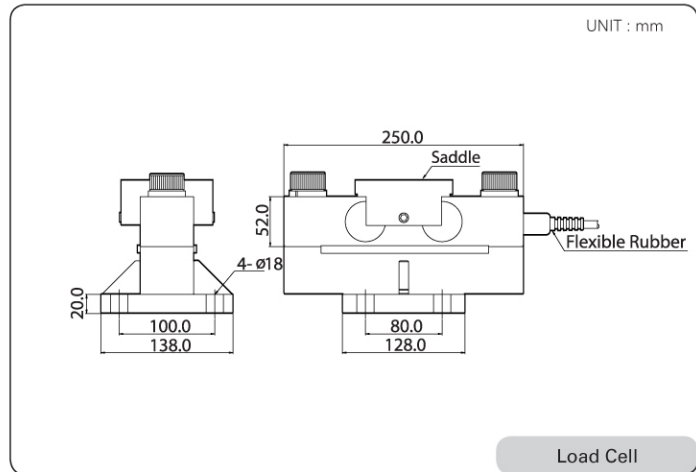


Truck

### LOAD CELL



### DIMENSION



### FEATURES

- Robust design and easy installation
- Strong against shock or side force
- Protection Class IP67

### ACCESSORY FEATURES

- Easy load cell replacement.
- Appropriate for tank and truck scale application.
- High resolution by use of ball
- Structurally safe design
- High durability
- Suitable for moisture environments

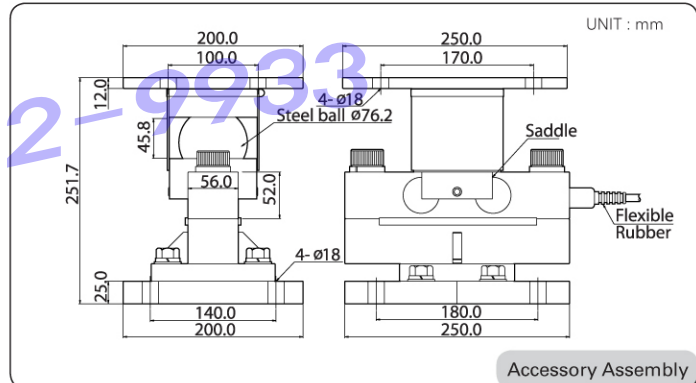
### ACCESSORY OPTION

- Ballcup type (TW)



### MANUAL

- Check the load cell level with the surface



### SPECIFICATION

Max. Capacity (Rated Load)	tf	10, 25, 30
Rated Output	mV / V	2.0 ± 0.004
Zero Balance	mV / V	0.0 ± 0.02
Accuracy Class	-	D3
Non-Linearity	% R.O.	0.03
Hysteresis	% R.O.	0.03
Combined Error	% R.O.	0.03
Repeatability	% R.O.	0.02
Creep for 30min.	% R.O.	0.03
Return for 30min.	% R.O.	0.03
Resolution	-	≤1/3000
Division	mV / V	0.00067
Temperature Effect on	-	-
_Zero Value	% / 10°C	0.03
_Output Value	% / 10°C	0.015
Excitation	-	-
_Recommended	V	10
_Maximum	V	15
Resistance	-	-
_Input	Ω	800 ± 40
_Output	Ω	700 ± 7
_Insulation	MΩ	>2000
Compensated Temperature Range	°C	-10 to +40
Operating Temperature Range	°C	-20 to +80
Material & Plate	-	Steel, Painted
Cable Specification	-	ø8 x 4p x 15M (P.V.C)
Safety Overload	% R.L.	150% R.L.
Platform Size	mm	No Platform Type