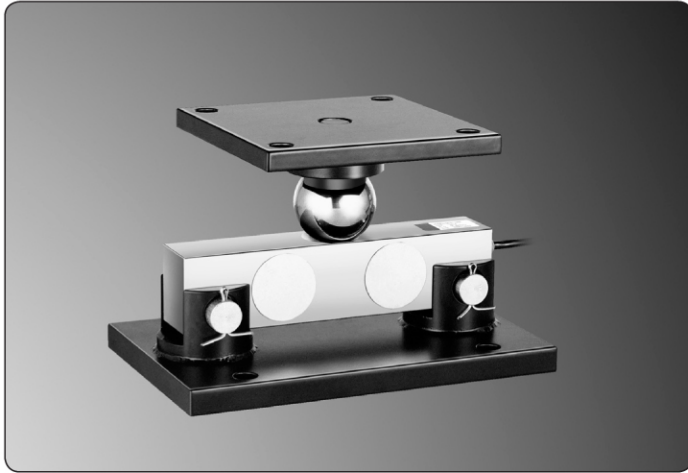


# DES-B

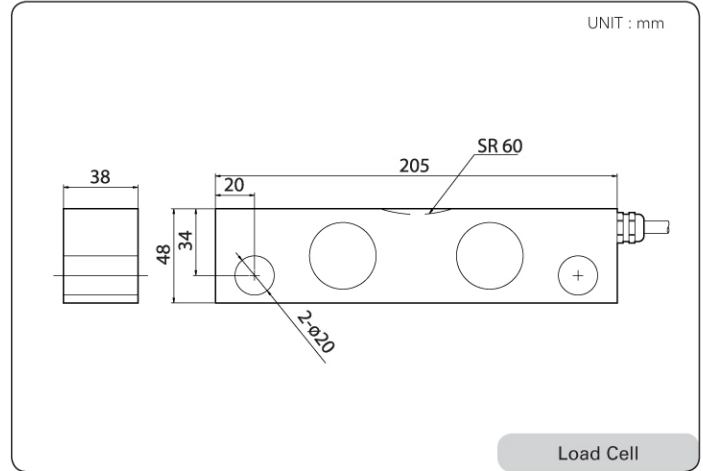
## Truck and Tank Weighing Load Cell



### LOAD CELL



### DIMENSION



### FEATURES

- Robust design and installation
- Strong against shock or side force
- Protection Class IP67
- Low Price
- Compact size

### ACCESSORY FEATURES

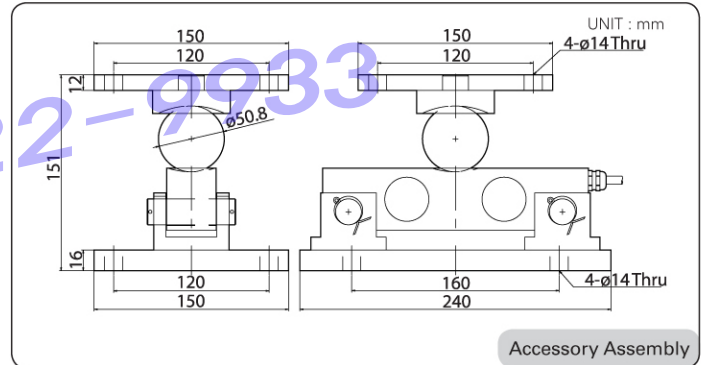
- Easy load cell replacement
- Appropriate for tank and plat form application
- High resolution by use of ball
- Structurally safe design

### MANUAL

- Check the load cell level with the surface
- Do not applicate an excessive force to remove the snap ring

### ACCESSORY OPTION

- Accessory (Set)



### SPECIFICATION

Max. Capacity (Rated Load)	tf	10, 15
Rated Output	mV / V	2.0 ± 0.004
Zero Balance	mV / V	0.0 ± 0.02
Accuracy Class	-	D3
Non-Linearity	% R.O.	0.03
Hysteresis	% R.O.	0.03
Combined Error	% R.O.	0.03
Repeatability	% R.O.	0.02
Creep for 30min.	% R.O.	0.03
Return for 30min.	% R.O.	0.03
Resolution	-	≤1/3000
Division	mV / V	0.00067
Temperature Effect on	-	-
_Zero Value	% / 10°C	0.03
_Output Value	% / 10°C	0.015
Excitation	-	-
_Recommended	V	10
_Maximum	V	15
Resistance	-	-
_Input	Ω	800 ± 40
_Output	Ω	700 ± 7
_Insulation	MΩ	>2000
Compensated Temperature Range	°C	-10 to +40
Operating Temperature Range	°C	-20 to +80
Material & Plate	-	Steel, Plate
Cable Specification	-	ø5 x 4p x 10M (P.V.C - Jacket)
Safety Overload	% R.L.	150% R.L.
Platform Size	mm	No Platform Type