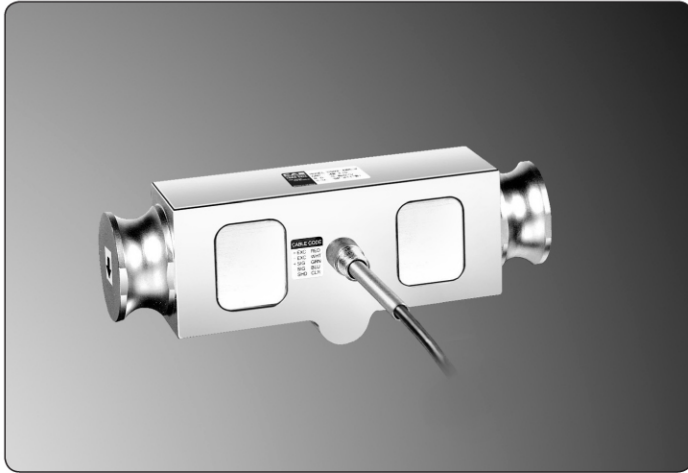


# DSB2

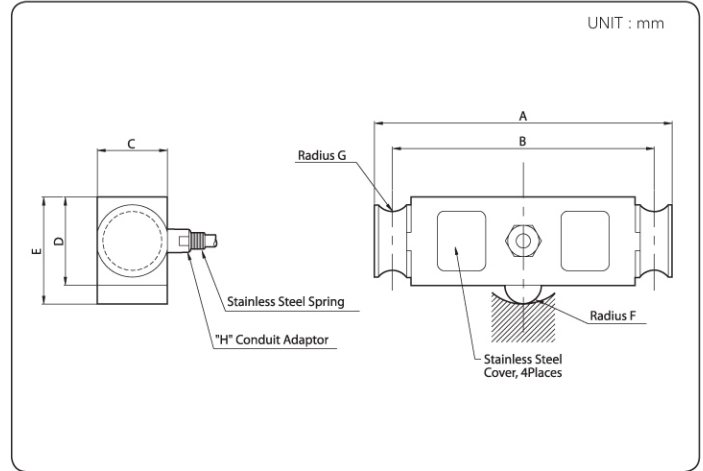
## Truck and Tank Weighing Load Cell



### LOAD CELL



### DIMENSION



### FEATURES

- Double end link beam application
- NTEP IIIIL 10,000M pending (Handbook 44)
- Protection Class IP67
- Compatible with other sources

### ACCESSORY OPTION

- NTEP approved class
- DSB2\_TW accessory

Capa.	A	B	C	D	E	F	G	H
25klb	209.6	184.2	49.3	62	75.5	12.7	12.7	1/4 - 18NPT
40klb	209.6	184.2	49.3	62	75.5	12.7	12.7	1/4 - 18NPT
75klb	292.1	254	49.3	74.7	88.15	25.4	19.1	1/2 - 14NPT

### SPECIFICATION

Max. Capacity (Rated Load)	lb	25K, 40K, 75K	
Rated Output	mV/V	3.0 ± 0.0075	
Zero Balance	mV/V	0.0 ± 0.03	
Accuracy Class	-	D3	B10(IIIIL 10,000M)
Non-Linearity	% R.O.	0.05	0.03
Hysteresis	% R.O.	0.05	0.03
Combined Error	% R.O.	0.05	0.03
Repeatability	% R.O.	0.03	0.015
Creep for 30min.	% R.O.	0.05	0.02
Return for 30min.	% R.O.	0.05	0.02
Resolution	-	≤1/2000	≤1/3000
Division	mV/V	0.0015	0.001
Temperature Effect on	-	-	-
_Zero Value	% / 10°C	0.03	0.014
_Output Value	% / 10°C	0.02	0.011
Excitation	-	-	
_Recommended	V	10	
_Maximum	V	15	
Resistance	-	-	
_Input	Ω	800 ± 40	
_Output	Ω	700 ± 7	
_Insulation	MΩ	>2000	
Compensated Temperature Range	°C	-10 to +40	
Operating Temperature Range	°C	-20 to +80	
Material & Plate	-	Nickel plated steel	
Cable Specification	-	ø5.4 x 4p x 12M (Urethane)	
Safety Overload	% R.L.	150%R.L.	
Platform Size	mm	No Without Limit	