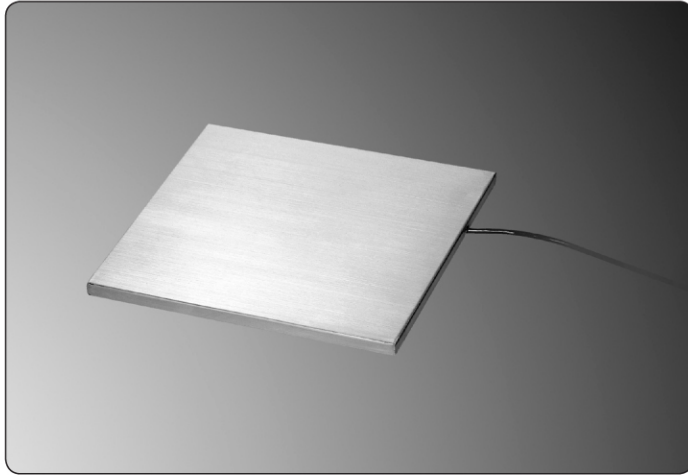
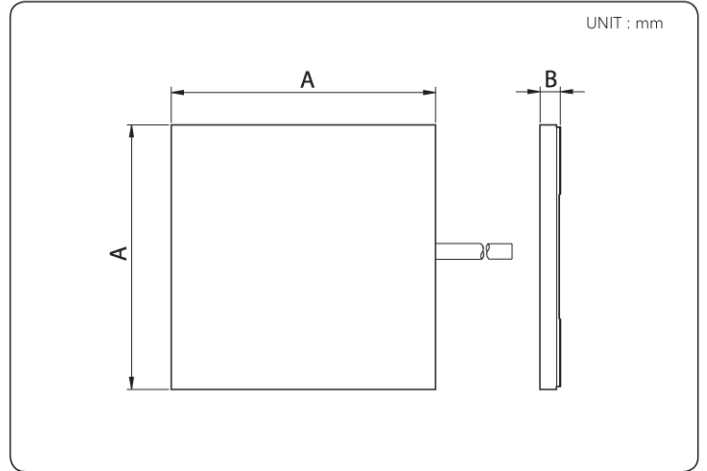




### LOAD CELL



### DIMENSION



### FEATURES

- Ultra slim profile (16mm~25mm)
- Wide range of capacities (20kgf~400kgf)
- Liquefied gas weighing application
- Rugged stainless steel cover plate

### ACCESSORY OPTION

- Built - in transmitter (4~20mA)

Capa.	A	B
20	300	23.6
50		24.6
60		24.6
100		24
200		25
300		24.4
400		25.8

### SPECIFICATION

Max. Capacity (Rated Load)	kgf	20, 50, 60, 100, 200, 300, 400
Rated Output	mV / V	2.0 ± 0.2
Zero Balance	mV / V	0.0 ± 0.1
Accuracy Class	-	-
Non-Linearity	% R.O.	0.05
Hysteresis	% R.O.	0.05
Combined Error	% R.O.	0.05
Repeatability	% R.O.	0.05
Creep for 30min.	% R.O.	0.03
Return for 30min.	% R.O.	0.03
Resolution	-	≤1/2000
Division	mV / V	0.001
Temperature Effect on	-	-
_Zero Value	% / 10°C	0.05
_Output Value	% / 10°C	0.05
Excitation	-	-
_Recommended	V	10
_Maximum	V	15
Resistance	-	-
_Input	Ω	760 ± 10
_Output	Ω	700 ± 5
_Insulation	MΩ	>2000
Compensated Temperature Range	°C	-10 to +40
Operating Temperature Range	°C	-30 to +80
Material & Plate	-	Zinc plated steel, Stainless steel cover
Cable Specification	-	∅5.4 x 4p x 5M (Urethane)
Safety Overload	% R.L.	150% R.L.
Platform Size	mm	No Platform Type