

CPA

Slim Profile Load Cell



P/F

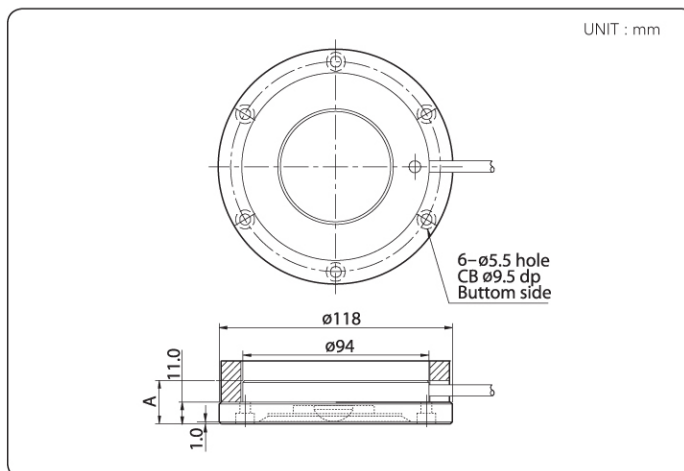


Truck

LOAD CELL



DIMENSION



FEATURES

- Low - profile
- Integrated loading base
- Low - deck high capacity scale application

ACCESSORY OPTION

- No accessory

Capa.	A
500K	20
1T	20
2T	22
3T	22
5T	22

SPECIFICATION

Max. Capacity (Rated Load)	kgf	500, 1K, 2K, 3K, 5K
Rated Output	mV/V	1.7 ± 0.17
Zero Balance	mV/V	0.0 ± 0.016
Accuracy Class	-	D3
Non-Linearity	% R.O.	0.14
Hysteresis	% R.O.	0.14
Combined Error	% R.O.	0.14
Repeatability	% R.O.	0.03
Creep for 30min.	% R.O.	0.03
Return for 30min.	% R.O.	0.03
Resolution	-	≤1/700
Division	mV/V	0.0024
Temperature Effect on	-	-
_Zero Value	% / 10°C	0.03
_Output Value	% / 10°C	0.05
Excitation	-	-
_Recommended	V	10
_Maximum	V	15
Resistance	-	-
_Input	Ω	760 ± 7
_Output	Ω	700 ± 7
_Insulation	MΩ	>2000
Compensated Temperature Range	°C	-10 to +40
Operating Temperature Range	°C	-40 to +70
Material & Plate	-	Nickel plated steel
Cable Specification	-	ø4 x 4P x 0.62M (P.V.C)
Safety Overload	% R.L.	150% R.L.
Platform Size	mm	No Platform Type