

# CHE-KM

## Center Hole Load Cell



P/F



Hopper



Tank



Truck

### ● LOAD CELL



### ● FEATURES

- Center hole Compression load cell
- Safety designed
- High reliability

### ● ACCESSORY OPTION

- Loading plate

050-2222-9933

### ● SPECIFICATION

Max. Capacity (Rated Load)	tf	6, 10, 20, 30
Rated Output	mV / V	1.0 ± 0.007
Zero Balance	mV / V	0.0 ± 0.02
Accuracy Class	-	-
Non-Linearity	% R.O.	1.0
Hysteresis	% R.O.	1.0
Combined Error	% R.O.	1.0
Repeatability	% R.O.	0.2
Creep for 30min.	% R.O.	0.015
Return for 30min.	% R.O.	0.015
Resolution	-	≤1/100
Division	mV / V	0.01
Temperature Effect on	-	-
_Zero Value	% / 10°C	0.05
_Output Value	% / 10°C	0.05
Excitation	-	-
_Recommended	V	10
_Maximum	V	15
Resistance	-	-
_Input	Ω	800 ± 20
_Output	Ω	700 ± 3.5
_Insulation	MΩ	>2000
Compensated Temperature Range	°C	-10 to +40
Operating Temperature Range	°C	-20 to +80
Material & Plate	-	Paint finished Aluminum
Cable Specification	-	∅8 x 4p x 10M (P.V.C)
Safety Overload	% R.L.	150% R.L.
Platform Size	mm	No Without Limit

# CHE-KM

## Center Hole Load Cell



P/F



Hopper

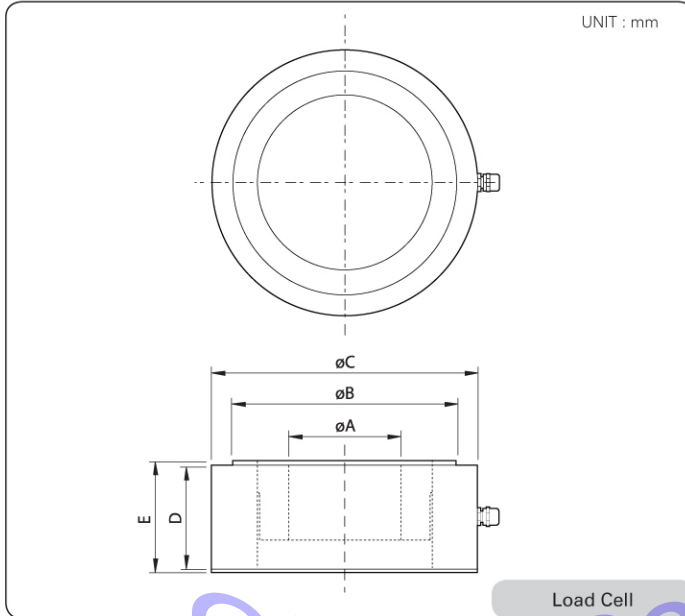


Tank



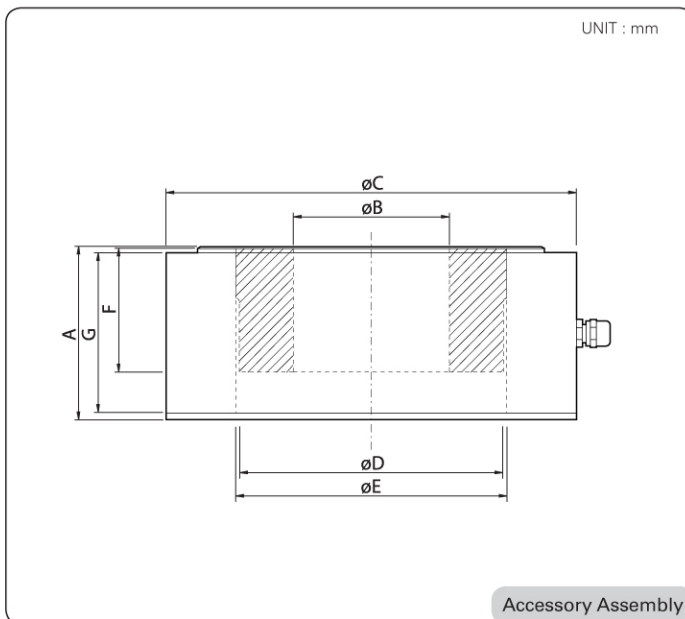
Truck

### ● DIMENSION



Load Cell

Capa.	øA	øB	øC	D	E
6tf	60	75	95	51	55
10tf	60	90	105	51	60
20tf	125	160	190	74	80
30tf					



Accessory Assembly

Capa.	A	øB	øC	øD	øE	F	G
6tf	55	32.1	95	57	60	43	51
10tf	60	32.1	105	57	60	43	51
20tf	80	72.1	190	122	125	57	74
30tf							