

Impact Dot Printer

# BAS-6026P Dot



## Paper roll



## Mechanism



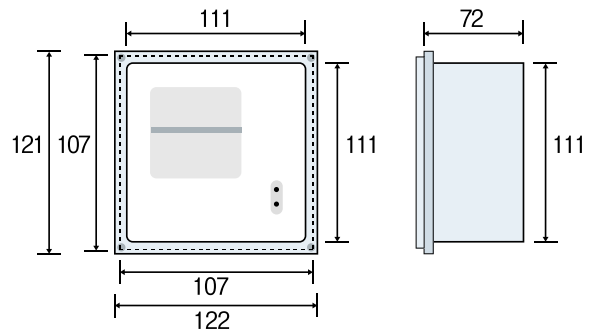
## Ribbon



## Features

- Impact dot printer
- Compact design
- Panel mount
- High-speed printing

## Cutting Size



## Specifications

Printing method	Impact dot matrix
Printing width	57mm ±0.5
Printing speed	1.5 line / sec
Number of columns	24C / 30C / 40C
Character size (W×H)	5×7 matrix 40C
Interface	Parallel : Centronics / Serial : RS-232C
Power supply	DC 5V-12V

제조원 **바소엔지니어링(주)**

판매원