

Model CTRFF Series

Flange Type Rotary Torque Transducer **20 kgf·m ~ 300 kgf·m**

FEATURES

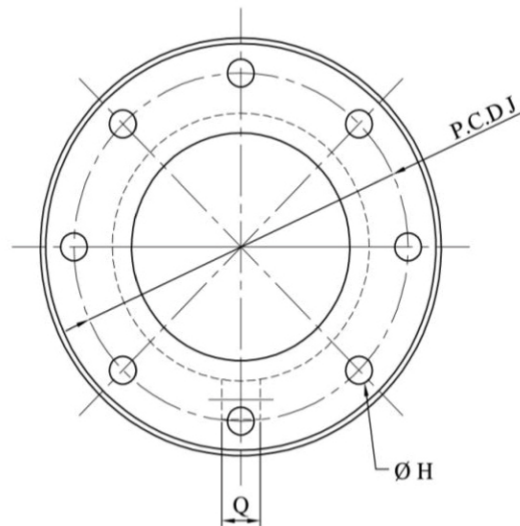
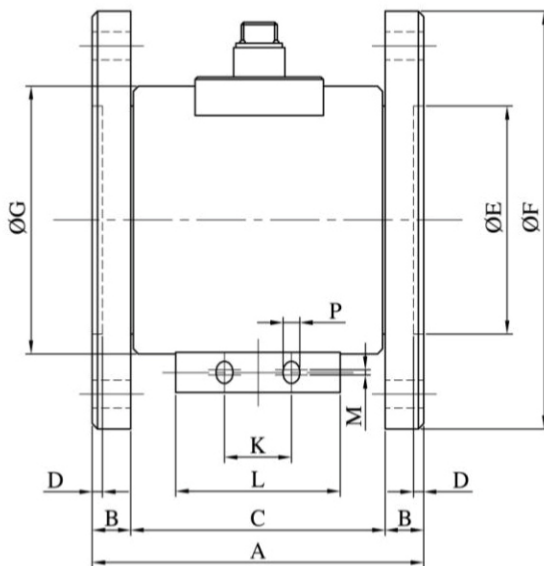
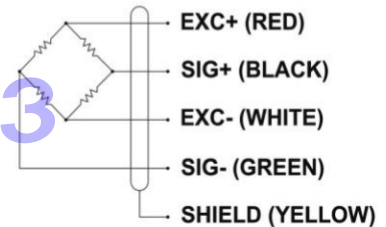
Model CTRFF is used to measure continuous torque of rotating products as Strain gauge method, has high accuracy by using brush and slipping and can be installed with easy as Flange Type.

SPECIFICATIONS

MODEL	CTCR
Rated capacity (R.C.)	1, 2, 5, 10, 20, 50, 100, 200, 300kgf · m
Rated output (R.O.)	1.5mV/V
Non-linearity	≤ 0.3% R.O.
Hysteresis	≤ 0.3% R.O.
Non-repeatability	≤ 0.3% R.O.
Terminal resistance, input	350Ω ± 1%
Terminal resistance, output	350Ω ± 1%
Insulation resistance	2000MΩ
Temp. effect on rated output	≤ 0.1% LOAD/10°C
Temp. effect on zero balance	≤ 0.1% R.O./10°C
Excitation Voltage	10V DC
Safe overload	150 % R.C.
Cable	Ø7 shield 5m



WIRING INFORMATION



DEMENSIONS-mm

Rated Capacity	A	B	C	D	ØE	ØF	ØG	ØH	J	K	L	M	P	Q	R.P.M
20kgf · m	129	15	99	4	65	128	85	6-Ø6.6	105	26	64	2	6.5	12	4500
50kgf · m	129	15	99	4	70	138	90	6-Ø6.6	115	26	64	2	6.5	12	4000
100kgf · m	129	15	99	4	85	156	100	8-Ø10.5	130	26	64	2	6.5	15	3000
300kgf · m	147	20	107	4	100	175	120	8-Ø10.5	146	26	64	2	6.5	15	2900