

# Model CTFC Series

Flanged Type Reaction Torque Transducer **10 kgf·cm ~ 50000 kgf·cm**

## FEATURES

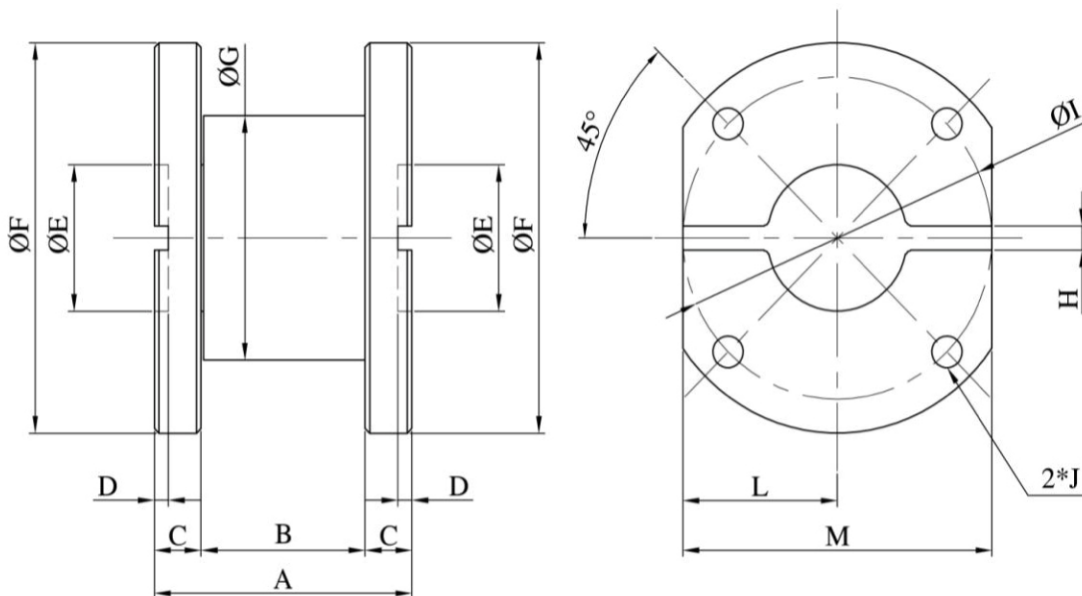
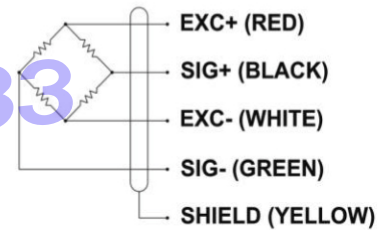
- A static torque sensor for measurement of torque of stationary objects or within a certain angle rotation.
- Suitable for torque measurement of various automobile parts.
- Pneumatic and electric screwdriver etc.
- Low deflection
- High stability and sensitivity



## SPECIFICATIONS

MODEL	CTCR
Rated capacity (R.C.)	10, 20, 50, 100, 200, 500, 1000 kgf · cm
Rated output (R.O.)	1.5 ± 0.35mV/V
Non-linearity	≤ 0.3% R.O.
Hysteresis	≤ 0.3% R.O.
Non-repeatability	≤ 0.3% R.O.
Terminal resistance, input	350Ω ± 1%
Terminal resistance, output	350Ω ± 1%
Insulation resistance	2000MΩ
Temp. effect on rated output	≤ 0.1% LOAD/10°C
Temp. effect on zero balance	≤ 0.1% R.O./10°C
Excitation Voltage	10V DC
Safe overload	150 % R.C.
Cable	Ø7 shield 5m

## WIRING INFORMATION



## DEMENSIONS-mm

Rated Capacity	A	B	C	D	ØE	ØF	ØG	H	ØI	J	L	M
10, 20, 50kgf · cm	55	35	10	3	30	80	50	5	66	4-Ø6.5	33	66
100, 200kgf · cm	55	35	10	3	30	80	50	5	66	4-Ø6.5	33	66
500, 1000kgf · cm	55	35	10	3	30	80	50	5	66	4-Ø6.5	33	66