



LOAD CELL



FEATURES

- All stainless steel type
- Hermetically sealed
- High reliability against fatigue and side force
- High accuracy grade
- Exia IIC T5 Approved

ACCESSORY OPTION

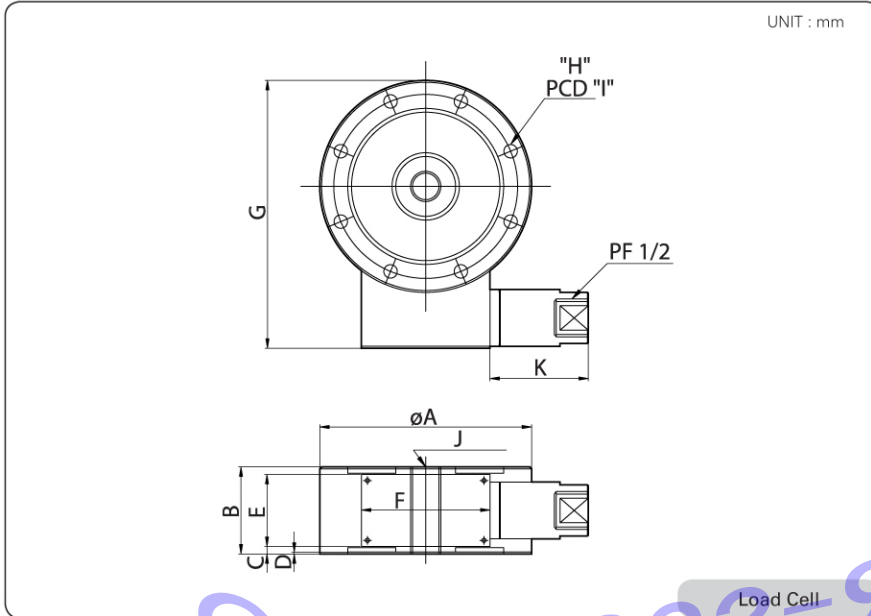
- Accessory for compression
- Accessory for tension
- Ball type accessory

SPECIFICATION

Max. Capacity (Rated Load)	tf	1, 2, 3, 5, 10, 20, 30, 50
Rated Output	mV / V	2.0 ± 0.005
Zero Balance	mV / V	0.0 ± 0.020
Accuracy Class	-	-
Non-Linearity	% R.O.	0.03
Hysteresis	% R.O.	0.03
Combined Error	% R.O.	0.03
Repeatability	% R.O.	0.02
Creep for 30min.	% R.O.	0.03
Return for 30min.	% R.O.	0.03
Resolution	-	<1/3000
Division	mV / V	0.0006
Temperature Effect on	-	-
_Zero Value	% / 10°C	0.03
_Output Value	% / 10°C	0.03
Excitation	-	-
_Recommended	V	10
_Maximum	V	15
Resistance	-	-
_Input	Ω	350 ± 3.5
_Output	Ω	350 ± 3.5
_Insulation	MΩ	>2000
Compensated Temperature Range	°C	-10 to +40
Operating Temperature Range	°C	-20 to +80
Material & Plate	-	Stainless steel
Cable Specification	-	ø8 x 4p x 5M(10M)
Safety Overload	% L.	150%L.
Platform Size	mm	No Platform Type

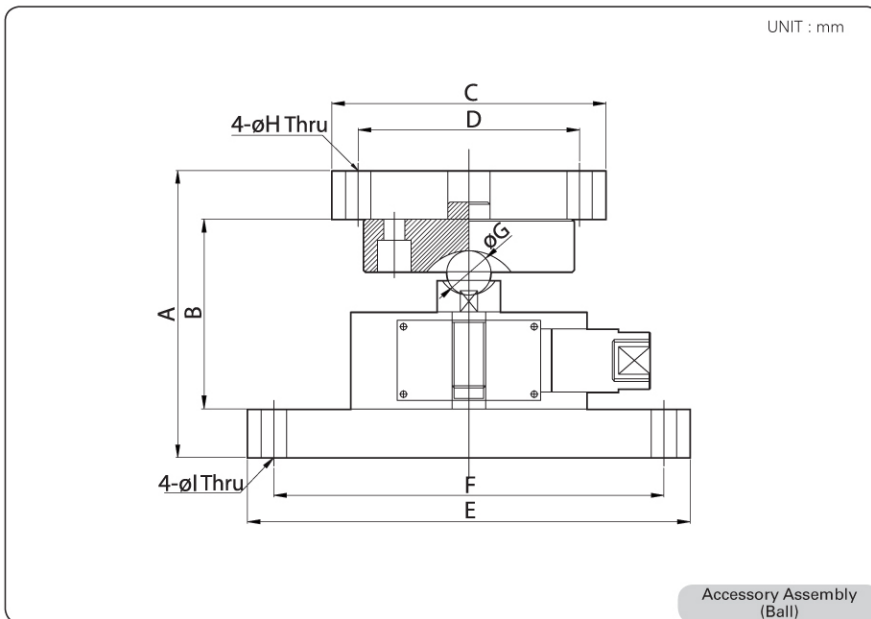


● DIMENSION



Load Cell

Capa.	A	B	C	D	E	F	G	H	I	J	K	Cable(m)
1tf	112	46	4	1.0	38.0	68.0	142	8- ϕ 7.1	97.2	M16 X 2.0	52	5.0
2tf							150	8- ϕ 9.0	103	M18 X 1.5		10.0
3tf							170	8- ϕ 11	118	M24 X 2.0		
5tf	218	8- ϕ 14	158				M39 X 2.0					
10tf	235	8- ϕ 14.5	170				M45 X 3.0					
20tf	184	80	21									
30tf	184	80	21									
50tf	200	60	11									



Accessory Assembly (Ball)

Capa.	A	B	C	D	E	F	ϕ G	H	I	
1tf	136.0	90.0	130.0	105.0	210 X 130	185 X 105	21.0	12	12	
2tf										
3tf										
5tf					160.0	125.0				30.0
10tf					160.0	125.0				30.0
20tf					200.0	160.0				30.0
30tf										



P/F



Hopper

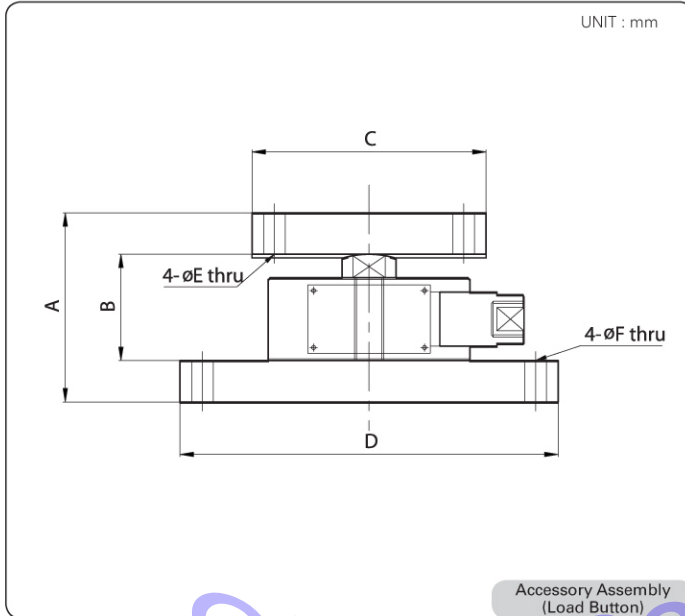


Tank

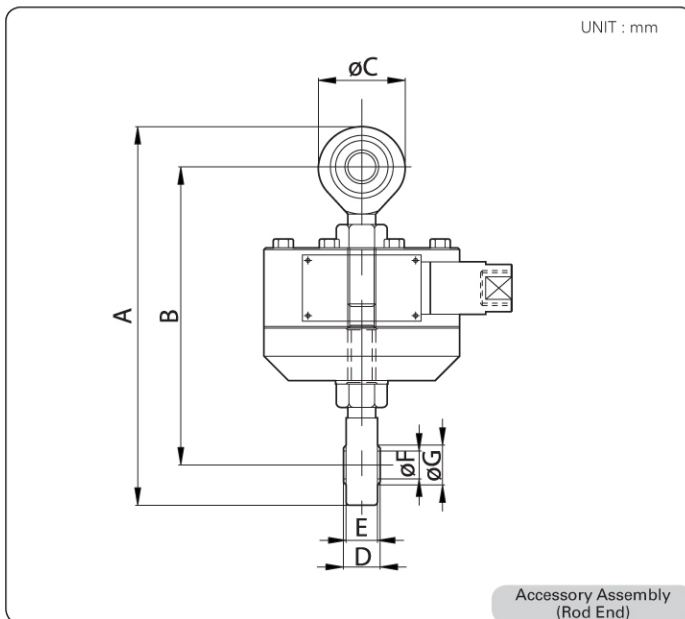


Truck

● DIMENSION



Capa.	A	B	C	D	E	F
1tf	105.0	59.0	130.0	210 X 130	12.0	12.0
2tf						
3tf						
5tf	107.0	61.0	160.0	160.0	14.0	14.0
10tf	140.0	80.0				
20tf	175.0	115.0	200.0	200.0	14.0	14.0
30tf						



Capa.	A	B	C	D	E	F	G
1tf	216.7(Max)	170.7(Max)	50.0	21.0	18.0	16.0	19.3
2tf							
3tf							
5tf	257.0(Max)	197.0(Max)	60.0	23.0	22.0	18.0	21.9
10tf	430.0(Max)	328.0(Max)	102.0	28.0	27.0	22.0	25.8
20tf	558.0(Max)	423.0(Max)	135.0	40.0	38.0	39.0	45.0
30tf							