

DSB1

Truck and Tank Weighing Load Cell



P/F



Hopper

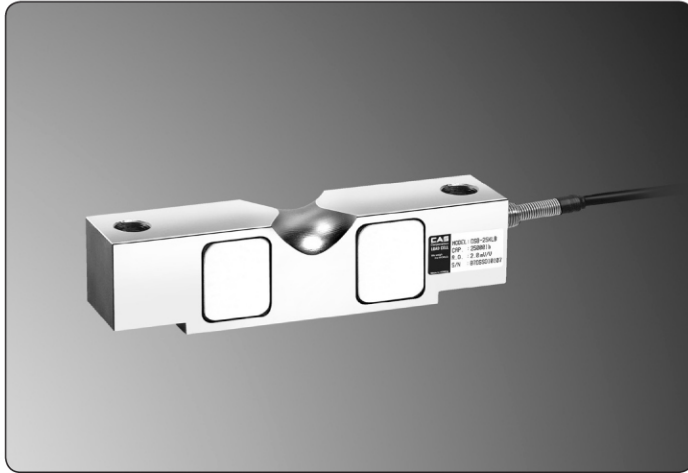


Tank

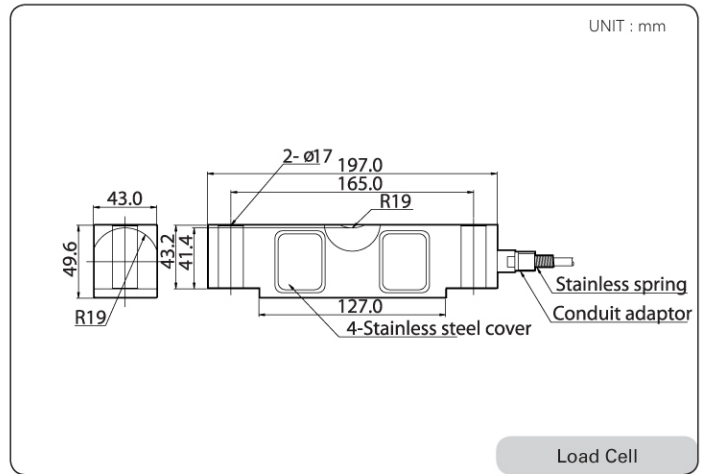


Truck

LOAD CELL



DIMENSION



Load Cell

FEATURES

- NTEP IIIIL 10,000M pending (Handbook 44)
- Protection Class IP67
- Compatible with other sources

ACCESSORY FEATURES

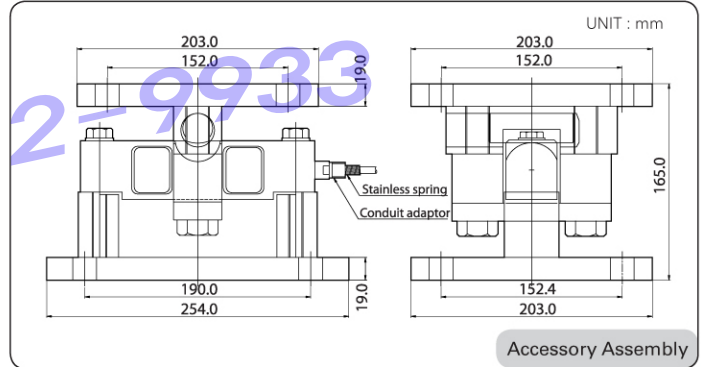
- Easy Load Cell replacement
- Appropriate for tank and hopper application
- Structurally safe design
- High resistance against side force
- high durability

MANUAL

- Check the load cell level with the surface
- Fix tightly the accessories with the Load cell

ACCESSORY OPTION

- DSB1_TW Accessory(SET)



Accessory Assembly

SPECIFICATION

Max. Capacity (Rated Load)	klbf	10, 20, 25	
Rated Output	mV / V	3.0 ± 0.0075	
Zero Balance	mV / V	0.0 ± 0.03	
Accuracy Class	-	D3	B10(IIIIL 10,000M)
Non-Linearity	% R.O.	0.05	0.03
Hysteresis	% R.O.	0.05	0.03
Combined Error	% R.O.	0.05	0.03
Repeatability	% R.O.	0.03	0.015
Creep for 30min.	% R.O.	0.05	0.02
Return for 30min.	% R.O.	0.05	0.02
Resolution	-	≤1/2000	≤1/3000
Division	mV / V	0.0015	0.001
Temperature Effect on	-	-	-
_Zero Value	% / 10°C	0.03	0.014
_Output Value	% / 10°C	0.02	0.011
Excitation	-	-	
_Recommended	V	10	
_Maximum	V	15	
Resistance	-	-	
_Input	Ω	800 ± 40	
_Output	Ω	700 ± 7	
_Insulation	MΩ	>2000	
Compensated Temperature Range	°C	-10 to +40	
Operating Temperature Range	°C	-20 to +80	
Material & Plate	-	Nickel plated steel	
Cable Specification	-	ø5.4 x 4p x 10M (Urethane - Jacket)	
Safety Overload	% R.L.	150% R.L.	
Platform Size	mm	No Platform Type	