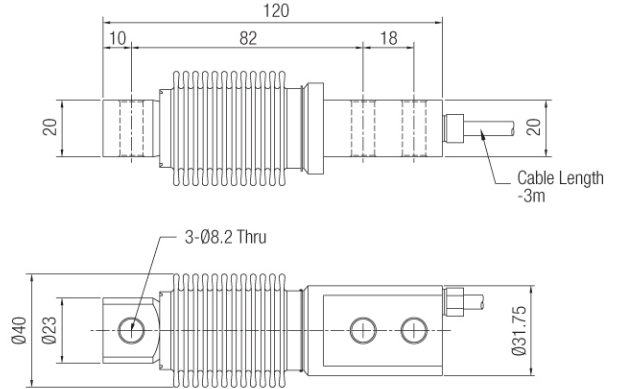


# CHBS Explosion proof version, Ex nA IIB-T4

Bending beam load cell **20, 50, 100, 200, 500 kgf**



## FEATURES

All stainless steel construction  
Protection class IP67

## Material

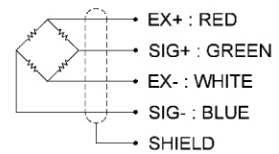
Stainless Steel

## Mounting

Socket-head cap screw  
M8 x 1.25(10.9)  
Tightening torque : 29Nm

## Cable

Braided shield 4-wire round cable  
with PVC-jacke



## SPECIFICATIONS

Max. Capacity	kgf	20, 50, 100, 200, 500
Rated output	mV/V	2.0 ± 0.005
Zero balance	mV/V	0 ± 0.2
Accuracy class		
Combined error	%RO	0.03
Repeatability	%RO	0.01
Creep(30min.)	%RO	0.03
Temperature effec on		
Zero value	%RO/10°C	0.028
Output value	%RO/10°C	0.015
Excitation		
Recommended	V	10
Maximum	V	15
Resistance		
Input	Ω	400 ± 50
Output	Ω	350 ± 3.5
Insulation	MΩ	>2,000@50V DC
Compensated temp. range	°C	-10 ~ +40
Operating temp. range	°C	-20 ~ +70