

# CMNT

Miniature load cell **50, 100, 200, 500 kgf**

www.curiotec.com



## FEATURES

- Stainless steel
- Tension application
- Application for limited space
- Protection class IP67

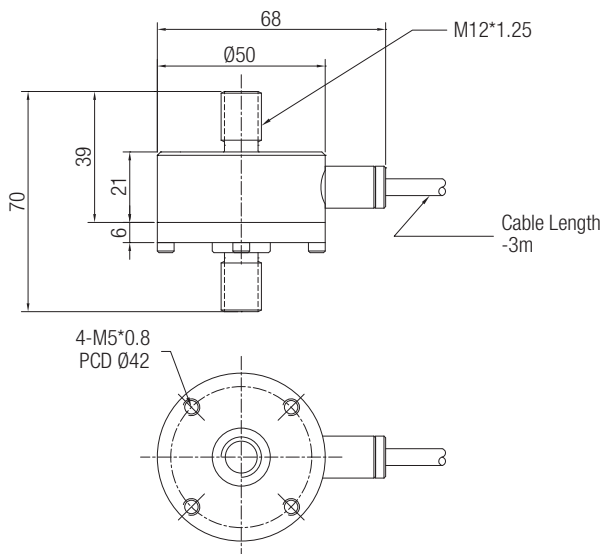
## Material

- Stainless steel

## Cable

- Braided shield 4-wire round cable with PVC-jacket

## DIMENSIONS



## SPECIFICATIONS

Max. Capacity	kgf	50, 100, 200, 500 kgf
Rated output	mV/V	2.0 ± 0.02
Zero balance	mV/V	0.0 ± 0.1
Accuracy class		
Combined error	%RO	0.15
Repeatability	%RO	0.05
Creep(30min.)	%RO	0.03
Temperature effect on		
Zero value	%RO/10°C	0.05
Output value	%RO/10°C	0.1
Excitation		
Recommended	V	10
Maximum	V	15
Resistance		
Input	Ω	420 ± 50
Output	Ω	350 ± 3.5
Insulation	MΩ	>2,000@50V DC
Compensated temp. range	°C	-10 ~ +40
Operating temp. range	°C	-20 ~ +80