

# CLPF-50L

## Slim plate load cell

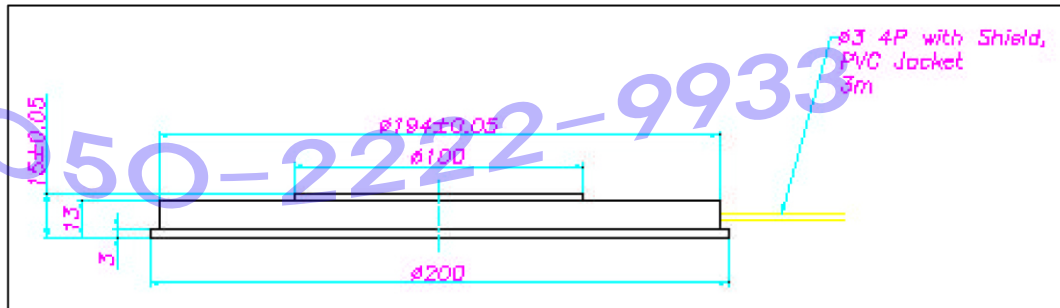
### FEATURES



### APPLICATION



### DIMENSION



### SPECIFICATIONS

Max. CAPACITY	kgf	50
RATED OUTPUT	mV/V	$1.0 \pm 0.1$
ZERO BALANCE	mV/V	$0.0 \pm 0.01$
ACCURACY CLASS		
COMBINED ERROR	%	0.1
REPEATABILITY	%	0.05
CREEP(30min.)	%	0.1
TEMPERATURE EFFECT ON		
ZERO VALUE	%/°C	0.05
OUTPUT VALUE	%/°C	0.05
EXCITATION		
RECOMMENDED	V	10
MAXIMUM	V	15
RESISTANCE		
INPUT	$\Omega$	$410 \pm 20$
OUTPUT	$\Omega$	$350 \pm 3.5$
INSULATION	M $\Omega$	> 2,000
COMPENSATED TEMP. RANGE	°C	-10 ~ +40
OPERATING TEMP. RANGE	°C	-20 ~ +80