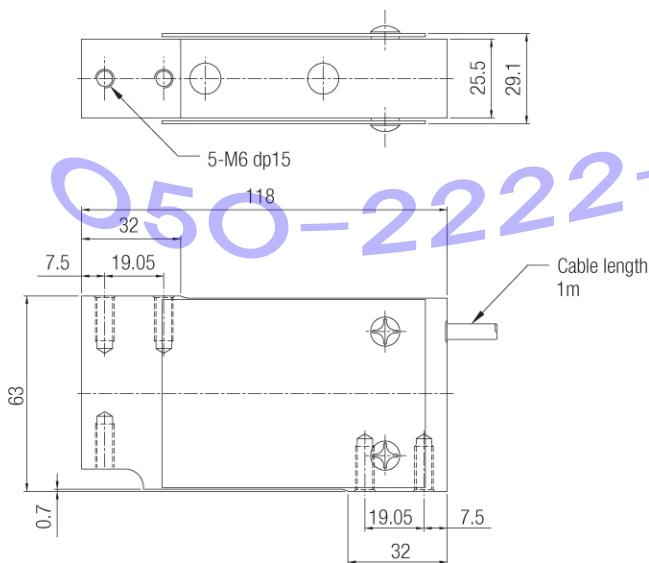


# CBCC

Single point load cell **5, 7, 10, 15 kgf**



## DIMENSIONS



## FEATURES

- Off center compensated
- Protection class IP65

## Material

- Anodized Aluminum
- Stainless Steel Cover

## Mounting

- Socket-head cap screw
- M6 x 1.0(10.9)
- Tightening torque : 14Nm

## Cable

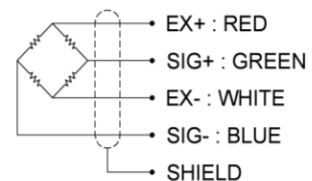
- Braided shield 4-wire round cable with PVC-jacket

## Maximum Platform Size

- 400 x 400 mm

## Ordering Information

CBCC-xxxL  
Capacity in kg



## SPECIFICATIONS

Max. Capacity	kgf	5, 7, 10, 15
Rated output	mV/V	2.0 ± 0.2
Zero balance	mV/V	0 ± 0.1
Combined error	%RO	0.02
Repeatability	%RO	0.01
Creep(30min.)	%RO	0.017
Temperature effect on		
Zero value	%RO/10°C	0.014
Output value	%RO/10°C	0.014
Excitation		
Recommended	V	10
Maximum	V	15
Resistance		
Input	Ω	400 ± 20
Output	Ω	350 ± 3.5
Insulation	MΩ	>2,000@50V DC
Compensated temp. range	°C	-10 ~ +40
Operating temp. range	°C	-20 ~ +70