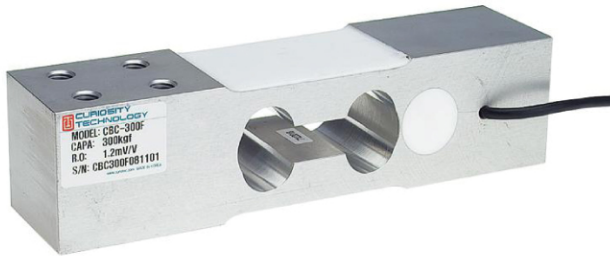
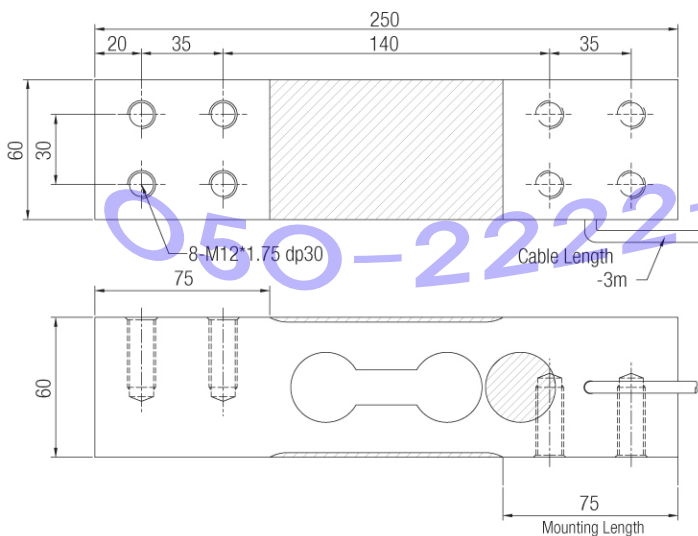


CBC-F

Single Point load cell **300, 600 kgf**



DIMENSIONS



FEATURES

- Low cost
- Off center compensated
- Protection class IP65

Material

Anodized Aluminum

Mounting

- Socket-head cap screw
- M12 x 1.75(10.9)
- Tightening torque : 100Nm

Cable

Braided shield 4-wire round cable with PVC-jacket

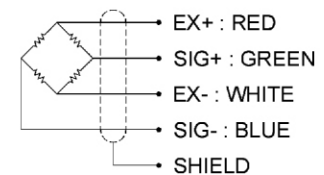
Maximum Platform Size

600 x 600 mm

Ordering Information

CBC-xxxF

Capacity in kg



SPECIFICATIONS

Max. Capacity	kgf	300, 600
Rated output	mV/V	1.2 (Approx.)
Zero balance	mV/V	0 ± 0.06
Accuracy class		
Combined error	%RO	0.03
Repeatability	%RO	0.01
Creep(30min.)	%RO	0.03
Temperature effect on		
Zero value	%RO/10°C	0.04
Output value	%RO/10°C	0.015
Excitation		
Recommended	V	10
Maximum	V	15
Resistance		
Input	Ω	400 ± 50
Output	Ω	350 ± 3.5
Insulation	MΩ	>2,000@50V DC
Compensated temp. range	°C	-10 ~ +40
Operating temp. range	°C	-20 ~ +70