

CBCM Explosion proof version, Ex nA IIB-T4

Single point load cell **50, 75, 100, 150, 200, 250, 300, 500 kgf**



FEATURES

- Low cost
- Off center compensated
- Protection class IP65

Material

Anodized Aluminum

Mounting

- Socket-head cap screw
- M8 x 1.25(10.9)
- Tightening torque : 29Nm

Cable

Braided shield 4-wire round cable with PVC-jacket

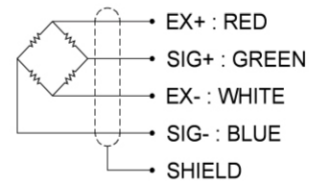
Maximum Platform Size

600 x 600 mm

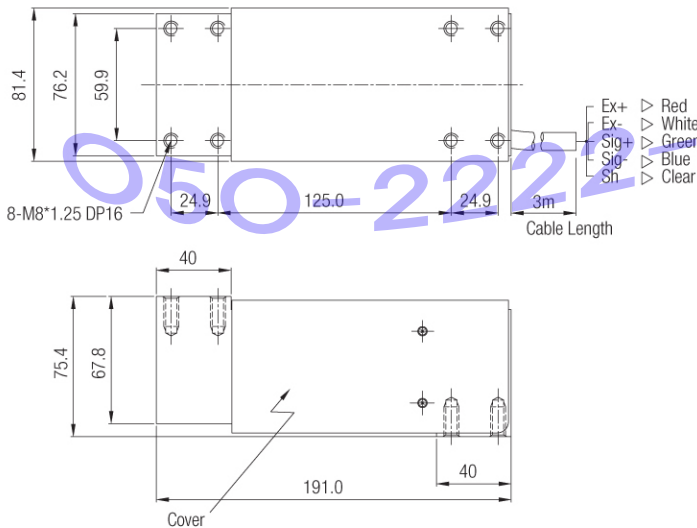
Ordering Information

CBCM-xxxL

Capacity in kg



DIMENSIONS



SPECIFICATIONS

Max. Capacity	kgf	50, 75, 100, 150, 200, 250, 300, 500
Rated output	mV/V	2.0 ± 0.2
Zero balance	mV/V	0 ± 0.1
Combined error	%RO	0.03
Repeatability	%RO	0.01
Creep(30min.)	%RO	0.03
Temperature effect on		
Zero value	%RO/10°C	0.028
Output value	%RO/10°C	0.014
Excitation		
Recommended	V	10
Maximum	V	15
Resistance		
Input	Ω	400 ± 20
Output	Ω	350 ± 3.5
Insulation	MΩ	>2,000@50V DC
Compensated temp. range	°C	-10 ~ +40
Operating temp. range	°C	-20 ~ +70