

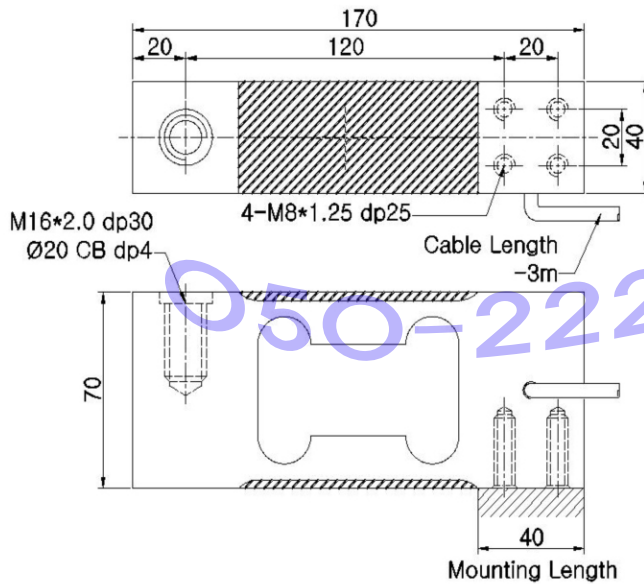
CBC-P

Single Point load cell

150, 300, 500 kgf



DIMENSIONS



FEATURES

- Low cost
- Off center compensated
- Protection class IP65

Material

Anodized Aluminum

Mounting

Socket-head cap screw
M8 x 1.25(10.9)

Tightening torque : 29.5Nm

Cable

Braided shield 4-wire round cable with PVC-jacket

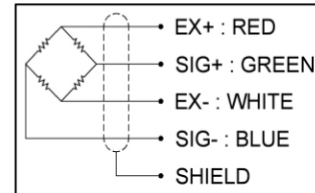
Maximum Platform Size

400 x 600 mm

Ordering Information

CBC-xxxP

Capacity in kg



SPECIFICATIONS

Max. Capacity	kgf	150, 300, 500
Rated output	mV/V	1.2 (Approx.)
Zero balance	mV/V	0 ± 0.1
Accuracy class		
Combined error	%RO	0.03
Repeatability	%RO	0.01
Creep(30min.)	%RO	0.03
Temperature effec on		
Zero value	%RO/10°C	0.04
Output value	%RO/10°C	0.015
Excitation		
Recommended	V	10
Maximum	V	15
Resistance		
Input	Ω	420 ± 50
Output	Ω	350 ± 3.5
Insulation	MΩ	> 2,000
Compensated temp. range	°C	-10 ~ +40
Operating temp. range	°C	-20 ~ +70

CURIOSITY TECHNOLOGY

www.casscience.com