

CDSB-25B

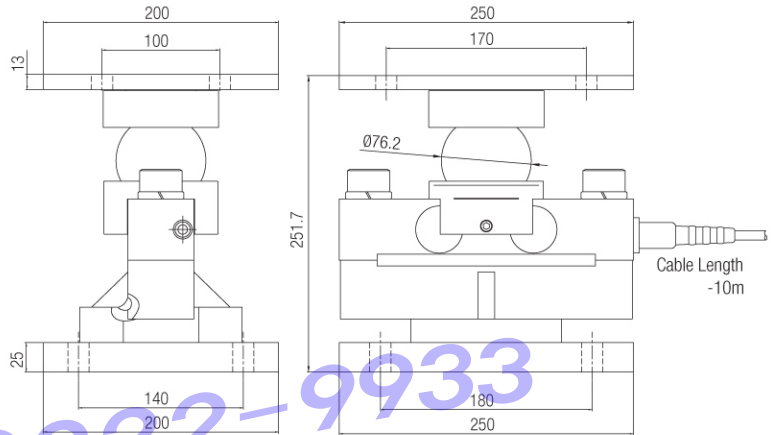
Truck weighing load cell **25 tf**

FEATURES

Robust design and easy installation
Strong against shock or side force



DIMENSIONS

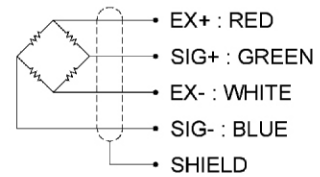


Material

Paint finished steel

Cable

Braided shield 4-wire round cable with PVC-jack



SPECIFICATIONS

| Max. Capacity | tf | 25 |
|-------------------------|------|---------------|
| Rated output | mV/V | 2.0 ± 0.004 |
| Zero balance | mV/V | 0.0 ± 0.03 |
| Accuracy class | | |
| Combined error | % | 0.03 |
| Repeatability | % | 0.02 |
| Creep(30min.) | % | 0.03 |
| Temperature effec on | | |
| Zero value | %/°C | 0.03 |
| Output value | %/°C | 0.015 |
| Excitation | | |
| Recommended | V | 10 |
| Maximum | V | 15 |
| Resistance | | |
| Input | Ω | 820 ± 40 |
| Output | Ω | 700 ± 7 |
| Insulation | MΩ | >2,000@50V DC |
| Compensated temp. range | °C | -10 ~ +40 |
| Operating temp. range | °C | -20 ~ +80 |