

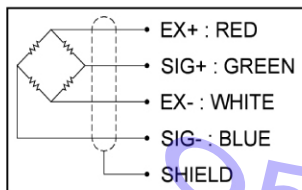
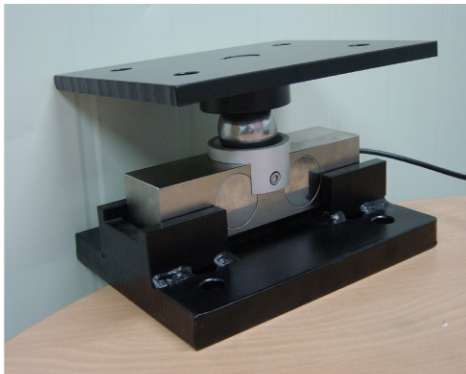
CDSB-E

Truck weighing loadcell

10, 15, 25 tf

FEATURES

Robust design and easy installation
Strong against shock or side force



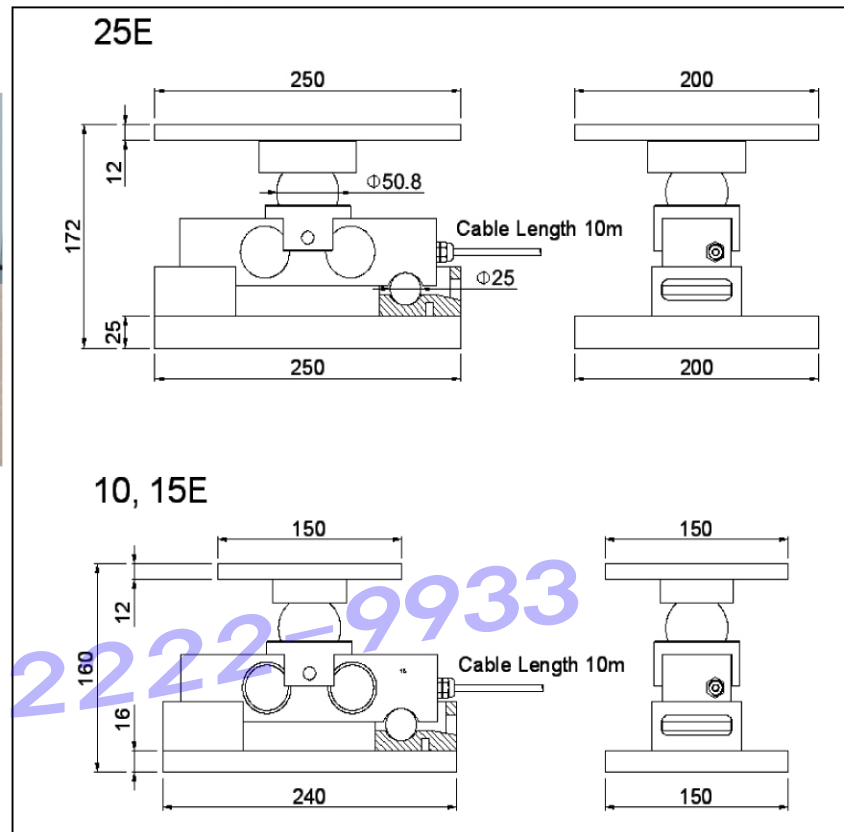
Material

Nickel plated steel

Cable

Braided shield 4-wire round cable with PVC-jacket

DIMENSIONS



SPECIFICATIONS

Max. Capacity	tf	10	15, 25
Rated output	mV/V	2.0 ± 0.004	3.0 ± 0.006
Zero balance	mV/V	0.0 ± 0.03	
Accuracy class			
Combined error	%	0.03	
Repeatability	%	0.02	
Creep(30min.)	%	0.03	
Temperature effect on			
Zero value	%/°C	0.03	
Output value	%/°C	0.015	
Excitation			
Recommended	V	10	
Maximum	V	15	
Resistance			
Input	Ω	800 ± 40	
Output	Ω	700 ± 7	
Insulation	MΩ	> 2,000	
Compensated temp. range	°C	-10 ~ +40	
Operating temp. range	°C	-20 ~ +80	

CURIOSITY TECHNOLOGY

www.casscience.com