

NDSB-25B

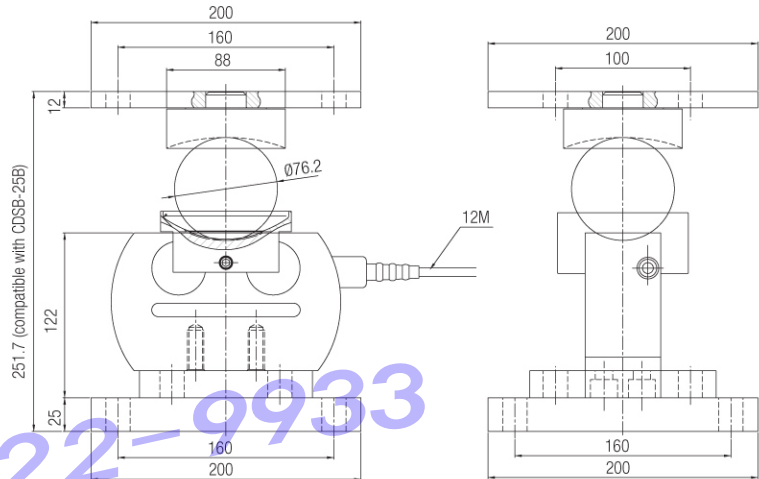
Truck & Tank weighing load cell **25 tf**

FEATURES

Robust design and easy installation
Strong against shock or side force



DIMENSIONS

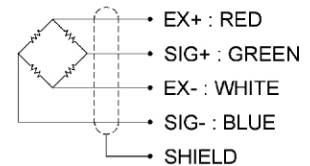


Material

Paint finished steel

Cable

Braided shield 4-wire round cable with PVC-jacket



SPECIFICATIONS

Max. Capacity	tf	25
Rated output	mV/V	2.0 ± 0.004
Zero balance	mV/V	0.0 ± 0.02
Accuracy class		
Combined error	%	0.02
Repeatability	%	0.015
Creep(30min.)	%	0.02
Temperature effec on		
Zero value	%/°C	0.03
Output value	%/°C	0.015
Excitation		
Recommended	V	10
Maximum	V	15
Resistance		
Input	Ω	800 ± 40
Output	Ω	700 ± 7
Insulation	MΩ	>2,000@50V DC
Compensated temp. range	°C	-10 ~ +40
Operating temp. range	°C	-20 ~ +80