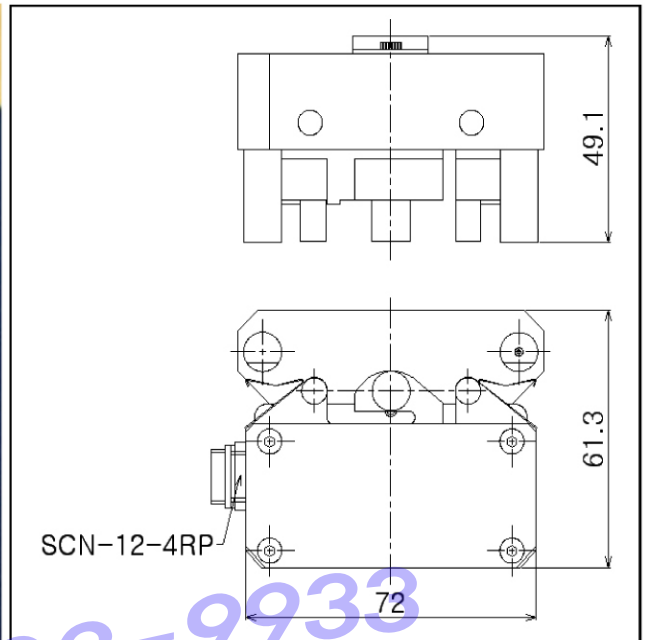
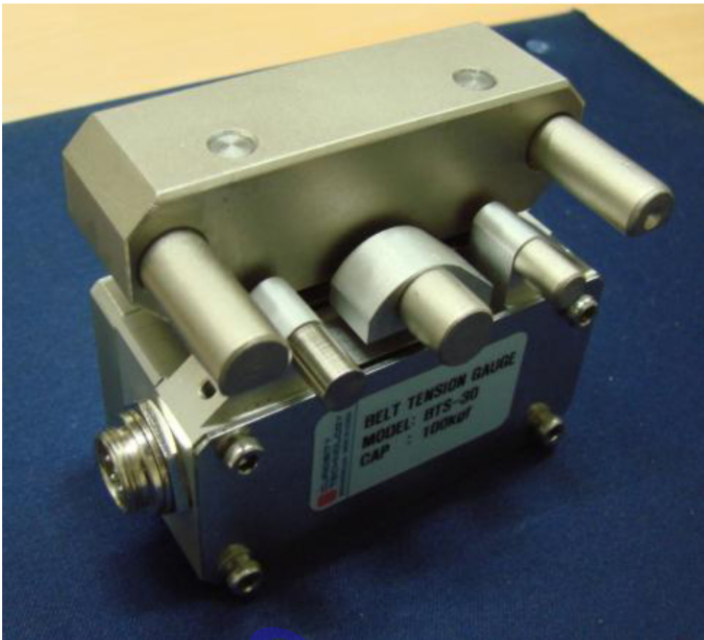


CBTS-30

V-BELT TENSION LOAD CELL

30kgf



050-2222-9933

■ FEATURES

V-Belt를 사용하는 모든 설비의 장력 측정 가능.
* 자동차의 일반 및, 에어컨 벨트의 장력 측정용.

■ Material

Nickel plated steel & Anodized Aluminum

■ SPECIFICATIONS

Max. Capacity	kgf	30kgf
Rated output	mV/V	1.5 ± Nominal
Zero balance	mV/V	0.0 ± 0.15
Accuracy		± 4% To a specific belt thickness
Usable		215 to 883 newtons (22kgf ~ 90kgf)
Repeatability		± 2% Full Span
Temperature effect on		
Zero value	%/10℃	0.3
Output value	%/10℃	0.3
Resistance		
Input	Ω	350 ± 3.5
Output	Ω	350 ± 3.5
Insulation	MΩ	> 2,000
Belt Thickness Range		4mm to 9mm
Operating temp. range	℃	-20 ~ +80

CURIOSITY TECHNOLOGY

www.casscience.com