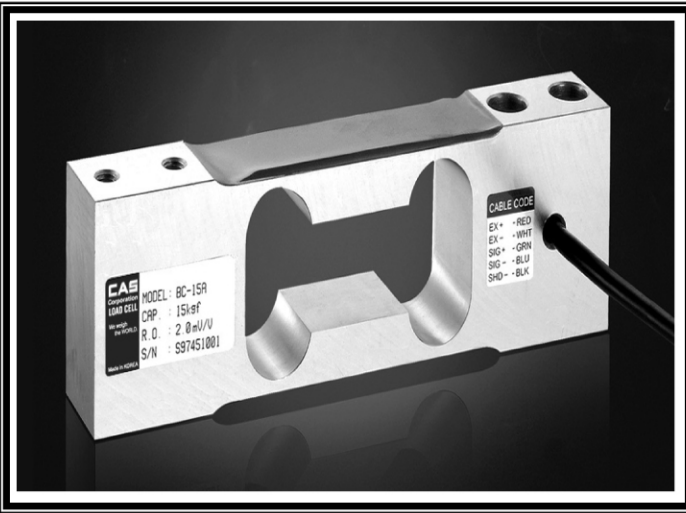


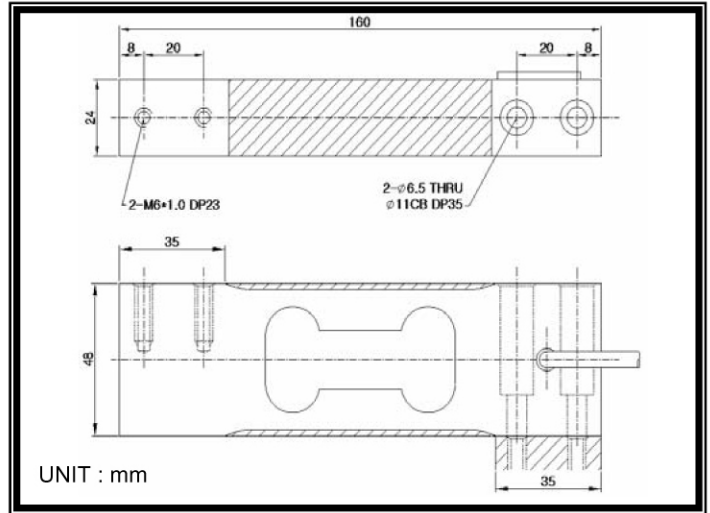
# BC Single Point Load Cell, 3kgf-30kgf



## LOAD CELL



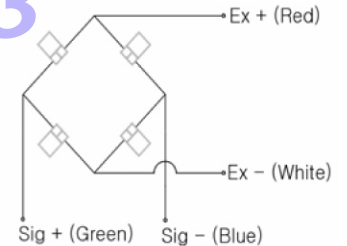
## DIMENSION



## FEATURES

- ◆ Low cost
- ◆ Off center compensated
- ◆ Protection Class IP65

## CABLE COLOR CODE



## SPECIFICATION

Max. Capacity ( Rated Load )	kgf	3, 5, 15, 30
Rated Output	mV/V	3~5kgf:1.0(Approx.)/15~30kgf:1.2(Approx.)
Zero Balance	mV/V	0.0±0.06
Non-Linearity	% R.O.	0.03
Hysteresis	% R.O.	0.03
Combined Error	% R.O.	0.03
Repeatability	% R.O.	0.01
Creep for 30min.	% R.O.	0.03
Return for 30min.	% R.O.	0.03
Resolution		≤ 1/3000
Division	mV/V	0.00033(Approx.)/0.0004(Approx.)
Temperature Effect on Zero Value	%/10°C	0.028
Output Value	%/10°C	0.015
Excitation Recommended	V	10
Maximum	V	15
Resistance Input	Ω	420±20
Output	Ω	350±3.5
Insulation	MΩ	> 2000
Compensated Temperature Range	°C	-10 to +40
Operating Temperature Range	°C	-20 to +70
Material & Plate		Anodized Aluminum
Cable Specification		φ5 × 4P × 30cm (PVC)
Safety Overload	% R.L.	150% R.L.
Platform Size	mm	400 × 400