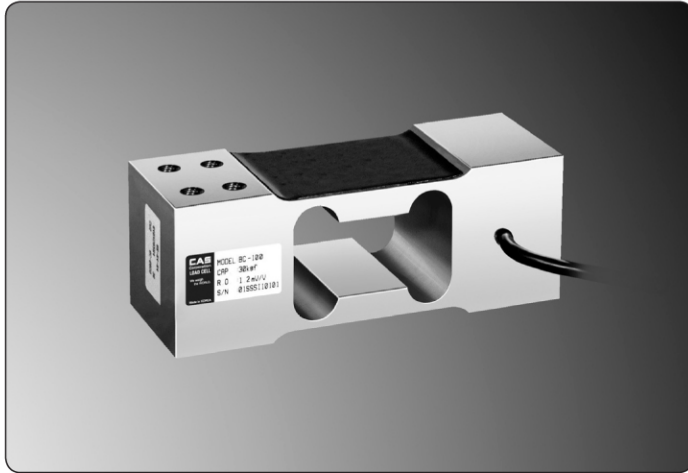


# BC

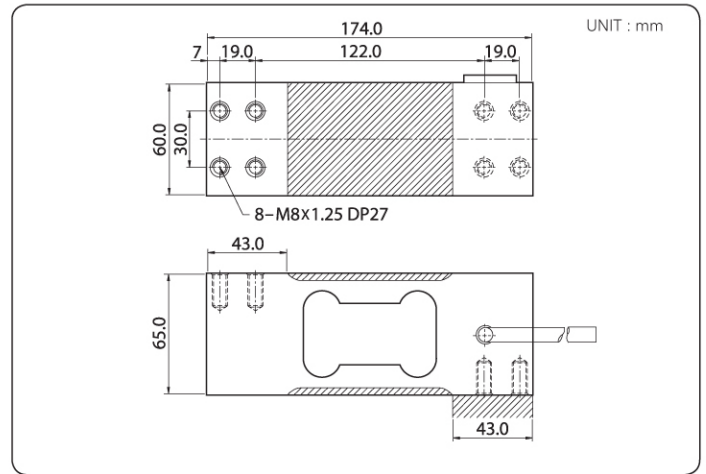
## Single Point Load Cell, 30kgf-150kgf



### LOAD CELL



### DIMENSION



### FEATURES

- Off center compensated
- Protection Class IP65
- Low cost

050-2222-9933

### SPECIFICATION

Max. Capacity (Rated Load)	kgf	30, 60, 100, 150
Rated Output	mV / V	1.2 (Approx)
Zero Balance	mV / V	0.0 ± 0.06
Accuracy Class	-	-
Non-Linearity	% R.O.	0.03
Hysteresis	% R.O.	0.03
Combined Error	% R.O.	0.03
Repeatability	% R.O.	0.01
Creep for 30min.	% R.O.	0.03
Return for 30min.	% R.O.	0.03
Resolution	-	≤ 1/3000
Division	mV / V	0.0004
Temperature Effect on	-	-
_Zero Value	% / 10°C	0.028
_Output Value	% / 10°C	0.015
Excitation	-	-
_Recommended	V	10
_Maximum	V	15
Resistance	-	-
_Input	Ω	420 ± 20
_Output	Ω	350 ± 3.5
_Insulation	MΩ	>2000
Compensated Temperature Range	°C	-10 to +40
Operating Temperature Range	°C	-20 to +70
Material & Plate	-	Anodized Aluminum
Cable Specification	-	∅5 x 4p x 1.365M (P.V.C)
Safety Overload	% R.L.	150% R.L.
Platform Size	mm	400 x 600