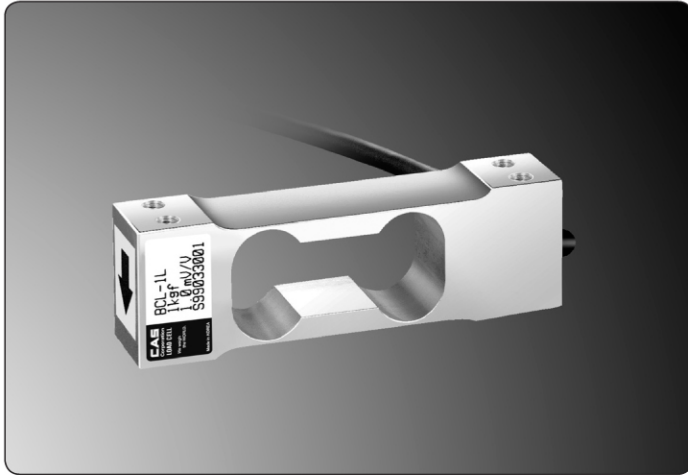


BCL

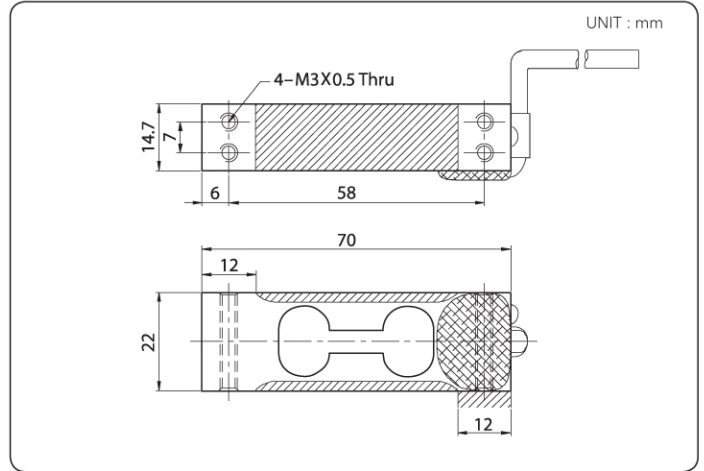
Single Point Load Cell, 1kgf-3kgf



LOAD CELL



DIMENSION



FEATURES

- Off center compensation
- Protection Class IP65
- Low cost

050-2222-9933



SPECIFICATION

Max. Capacity (Rated Load)	kgf	1, 2, 3
Rated Output	mV/V	1.0 ± 0.1
Zero Balance	mV/V	0.0 ± 0.05
Accuracy Class	-	-
Non-Linearity	% R.O.	0.03
Hysteresis	% R.O.	0.03
Combined Error	% R.O.	0.03
Repeatability	% R.O.	0.01
Creep for 30min.	% R.O.	0.03
Return for 30min.	% R.O.	0.03
Resolution	-	≤ 1/3000
Division	mV/V	0.00033
Temperature Effect on	-	-
_Zero Value	% / 10°C	0.028
_Output Value	% / 10°C	0.014
Excitation	-	-
_Recommended	V	10
_Maximum	V	15
Resistance	-	-
_Input	Ω	400 ± 20
_Output	Ω	350 ± 3.5
_Insulation	MΩ	>2000
Compensated Temperature Range	°C	-10 to +40
Operating Temperature Range	°C	-20 to +70
Material & Plate	-	Anodized Aluminum
Cable Specification	-	∅4 x 4p x 60cm (P.V.C)
Safety Overload	% R.L.	150% R.L.
Platform Size	mm	200 x 200