

FEATURES

- Stainless steel construction
- Fully environmental protection
- Protection class IP67

Material

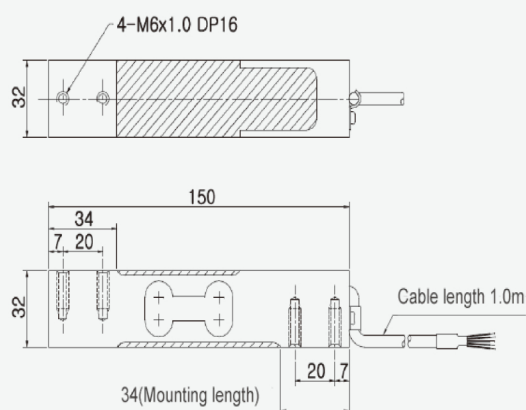
- Stainless steel construction

Cable

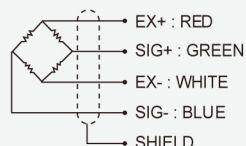
- Braided shield 4-wire round cable with PVC - jacket

CASSCIENCE.COM

DIMENSIONS



Unit : mm



SPECIFICATIONS

Max. Capacity	kgf	15, 30, 50, 100 kgf
Rated output	mV/V	2.0 ± 0.2
Zero balance	mV/V	0.0 ± 0.1
Combined error	%RO	0.03
Repeatability	%RO	0.01
Creep (30min.)	%RO	0.03
Temperature effect on		
	Zero value	%RO/10°C
	Output value	%RO/10°C
Excitation		
	Recommended	V
	Maximum	V
Resistance		
	Input	Ω
	Output	Ω
	Insulation	MΩ
Compensated temp. range	°C	-10 ~ +40
Operating temp. range	°C	-20 ~ +80