



## FEATURES

- Stainless steel construction
- Fully environmental protection
- Protection class IP67

## Material

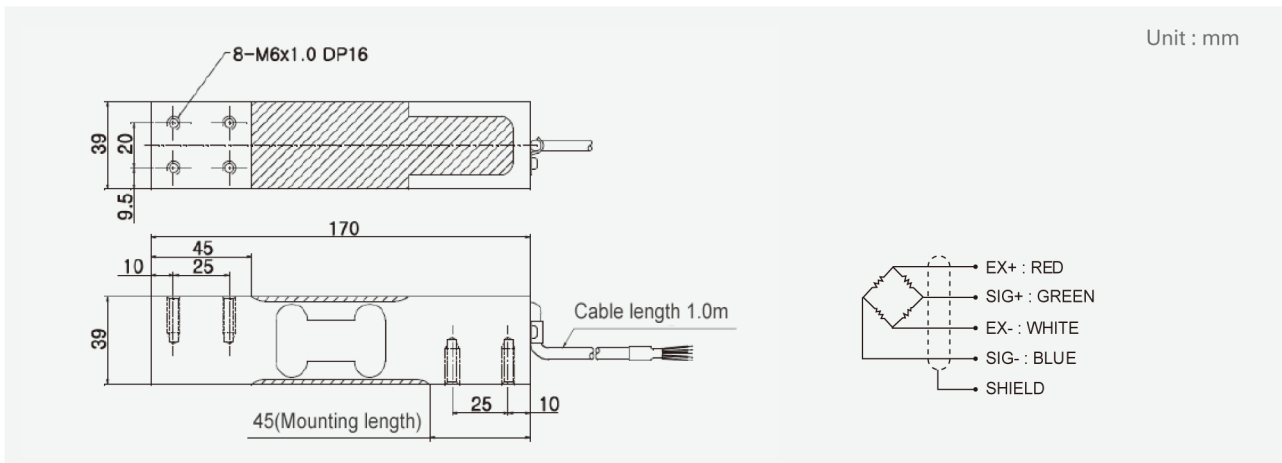
- Stainless steel construction

## Cable

- Braided shield 4-wire round cable with PVC - jacket

# CASSCIENCE.COM

## DIMENSIONS



## SPECIFICATIONS

Max. Capacity	kgf	30, 60, 100, 150, 200 kgf
Rated output	mV/V	1.0 ± 0.1
Zero balance	mV/V	0 ± 0.1
Combined error	%RO	0.03
Repeatability	%RO	0.01
Creep (30min.)	%RO	0.03
Temperature effect on	Zero value	%RO/10°C
	Output value	%RO/10°C
Excitation	Recommended	V
	Maximum	V
Resistance	Input	Ω
	Output	Ω
	Insulation	MΩ
Compensated temp. range	°C	-10 ~ +40
Operating temp. range	°C	-20 ~ +80