

FEATURES

- Low cost
- Off center compensated
- Protection class IP65

Material

- Anodized Aluminum

Cable

- Braided shield 4-wire round cable with PVC - jacket

Mounting

- Socket-head cap screw
- M8 x 1.25 (10.9)
- Tightening torque : 29Nm

Maximum Platform Size

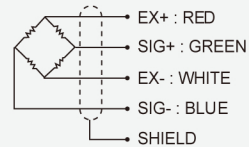
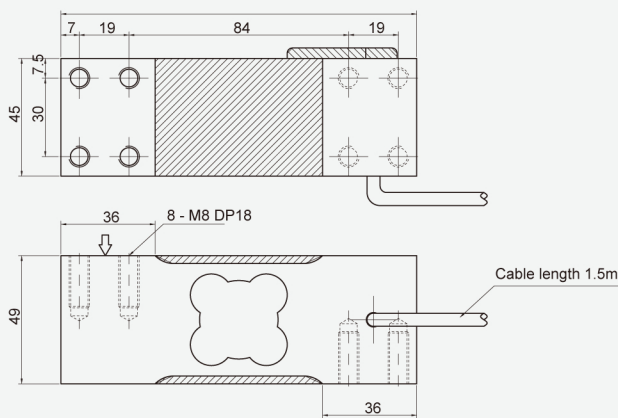
- 400 x 600 mm

Ordering Information

- CBCN -xxx "L"

_____ Capacity in kgf

DIMENSIONS



Unit : mm

SPECIFICATIONS

Max. Capacity	kgf	30, 50, 60, 70, 100, 150, 180, 200 kgf
Rated output	mV/V	1.6 ± 0.16
Zero balance	mV/V	0 ± 0.2
Combined error	%RO	0.02
Repeatability	%RO	0.02
Creep (30min.)	%RO	0.02
Temperature effect on		
	Zero value	%RO/10°C
	Output value	%RO/10°C
Excitation		
	Recommended	V
	Maximum	V
Resistance		
	Input	Ω
	Output	Ω
	Insulation	MΩ
Compensated temp. range	°C	-10 ~ +40
Operating temp. range	°C	-20 ~ +80