

### FEATURES

- Low cost
- Off center compensated
- Protection class IP65

### Material

- Anodized Aluminum

### Cable

- Braided shield 4-wire round cable with PVC - jacket

### Mounting

- Socket-head cap screw
- M6 x 1.0 (10.9)
- Tightening torque : 14Nm

### Maximum Platform Size

- 300 x 300 mm

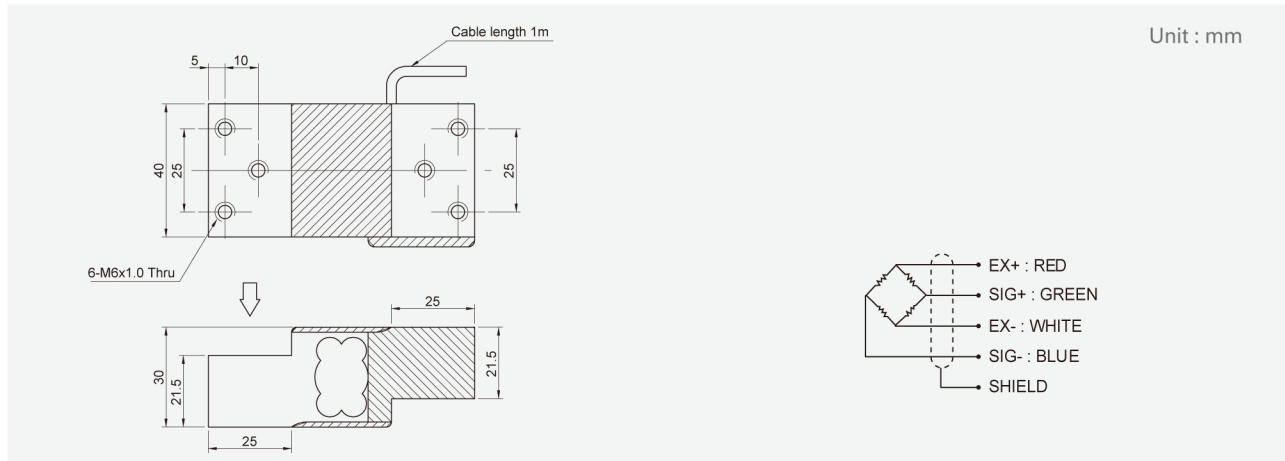
### Ordering Information

- J3 -xxx "L"

Capacity in kgf

CASSCIENCE.COM

### DIMENSIONS



### SPECIFICATIONS

Max. Capacity	kgf	50, 75, 100, 150, 200 kgf
Rated output	mV/V	2.0 ± 0.2
Zero balance	mV/V	0 ± 0.05
Combined error	%RO	0.05
Repeatability	%RO	0.02
Creep (30min.)	%RO	0.03
Temperature effect on	Zero value	%RO/10°C
	Output value	%RO/10°C
Excitation	Recommended	V
	Maximum	V
Resistance	Input	Ω
	Output	Ω
	Insulation	MΩ
Compensated temp. range	°C	-10 ~ +40
Operating temp. range	°C	-20 ~ +80