

## FEATURES

- Low cost
- Off center compensated
- Protection class IP65

## Material

- Anodized Aluminum

## Cable

- Braided shield 4-wire round cable with PVC - jacket

## Mounting

- Socket-head cap screw
- M3 x 0.5 (10.9)
- Tightening torque : 1.5Nm

## Maximum Platform Size

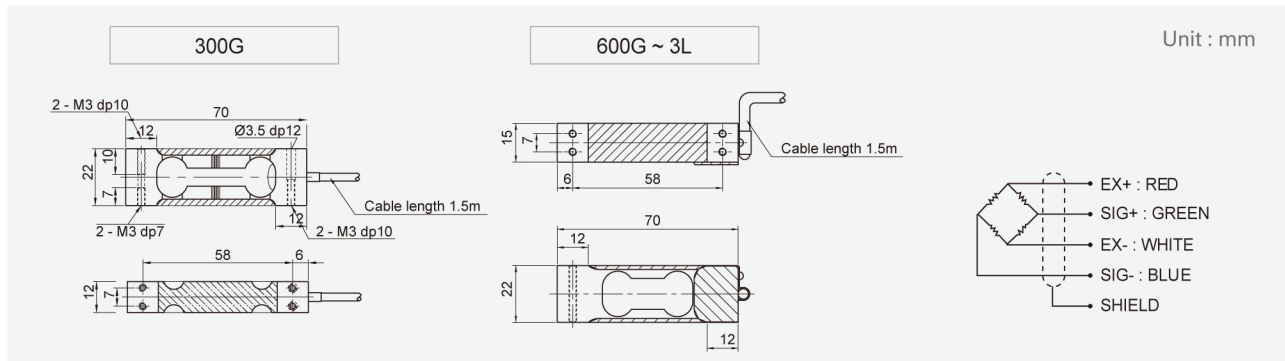
- 200 x 200 mm

## Ordering Information

- CBCL -xxx L(G)

Capacity in gf, kgf

## DIMENSIONS



## SPECIFICATIONS

| Max. Capacity           | gf, kgf      | 300 gf, 600 gf, 1 kgf, 2 kgf, 3 kgf |
|-------------------------|--------------|-------------------------------------|
| Rated output            | mV/V         | 1.0 ± 0.1                           |
| Zero balance            | mV/V         | 0 ± 0.1                             |
| Combined error          | %RO          | 0.03                                |
| Repeatability           | %RO          | 0.01                                |
| Creep (30min.)          | %RO          | 0.03                                |
| Temperature effect on   | Zero value   | %RO/10°C                            |
|                         | Output value | %RO/10°C                            |
| Excitation              | Recommended  | V                                   |
|                         | Maximum      | V                                   |
| Resistance              | Input        | Ω                                   |
|                         | Output       | Ω                                   |
|                         | Insulation   | MΩ                                  |
| Compensated temp. range | °C           | -10 ~ +40                           |
| Operating temp. range   | °C           | -20 ~ +80                           |