

FEATURES

- Low cost
- High accuracy
- Protection class IP65

Material

- Nickel Plated Steel

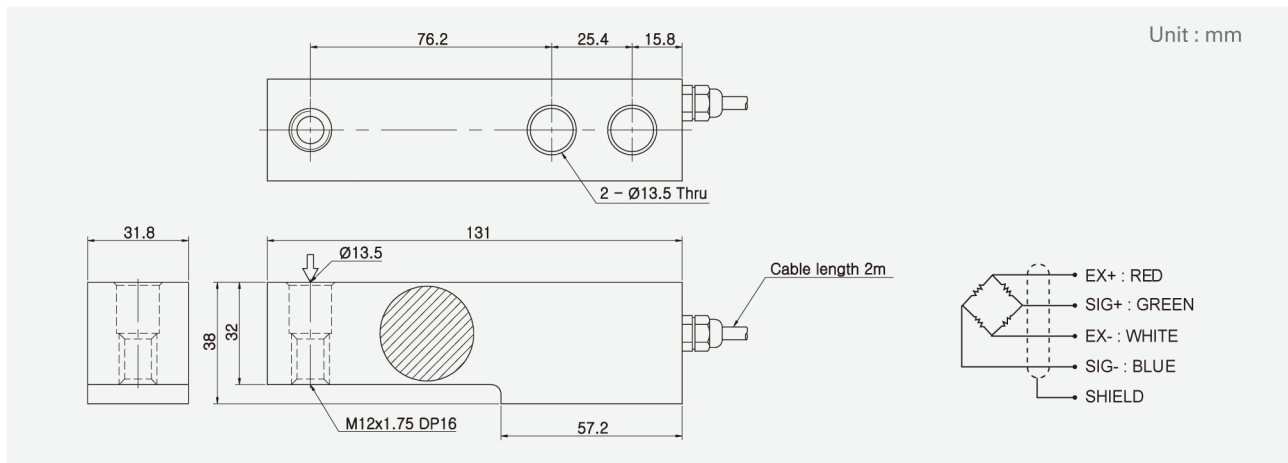
Cable

- Braided shield 4-wire round cable with PVC - jacket



CASSCIENCE.COM

DIMENSIONS



SPECIFICATIONS

Max. Capacity		tf	0.5, 1, 2 tf
Rated output		mV/V	3.0 ± 0.0075
Zero balance		mV/V	0.0 ± 0.03
Combined error		%RO	0.03
Repeatability		%RO	0.01
Creep (30min.)		%RO	0.03
Temperature effect on	Zero value	%RO/10°C	0.028
	Output value	%RO/10°C	0.015
Excitation	Recommended	V	10
	Maximum	V	15
Resistance	Input	Ω	381 ± 5
	Output	Ω	350 ± 3.5
	Insulation	MΩ	> 2,000 @50V DC
Compensated temp. range		°C	-10 ~ +40
Operating temp. range		°C	-20 ~ +80