

SS300 / LS300

S-Type Load Cell

50, 100, 150, 200, 300, 500 kgf, 1, 2, 3, 5, 10 tf



FEATURES

- Tension or compression applications
- Suitable for hanging scales
- Protection class IP66

Material

- Nickel plated steel (SS300)
- Stainless Steel (LS300)

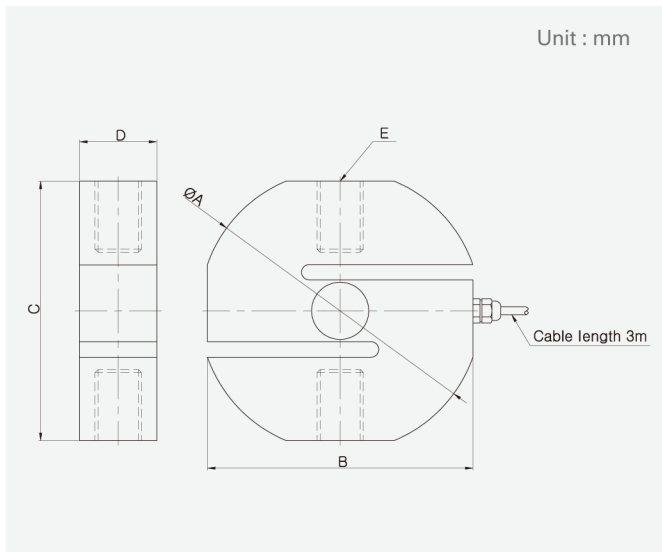
Cable

- Braided shield 4-wire round cable with PVC - jacket

CASSSCIENCE.COM



DIMENSIONS



Model	Capacity	ØA	B	C	D	E
SS300 LS300	50 kgf	80	74	76	19	M12×1.75
	100 kgf				26	
	150 kgf					
	200 kgf					
	300 kgf					
	500 kgf	84	M18×1.5			
	1 tf	120		90	110	30
	2 tf					
	3 tf					
	5 tf					
10 tf	182	172	168	50	M30×2.0	

SPECIFICATIONS

Max. Capacity	kgf	50, 100, 150, 200, 300, 500 kgf, 1, 2, 3, 5, 10 tf	
Rated output	mV/V	2.0 ± 0.005	
Zero balance	mV/V	0 ± 0.2	
Combined error	%RO	0.03	
Repeatability	%RO	0.015	
Creep (30min.)	%RO	0.03	
Temperature effect on			
	Zero value	%RO/10°C	0.03
	Output value	%RO/10°C	0.03
Excitation			
	Recommended	V	10
	Maximum	V	15
Resistance			
	Input	Ω	400 ± 50
	Output	Ω	350 ± 3.5
	Insulation	MΩ	> 2,000 @50V DC
Compensated temp. range	°C		-10 ~ +40
Operating temp. range	°C		-20 ~ +80