

FEATURES

- Fully environmental protection
- Protection class IP67

Material

- Paint finished steel

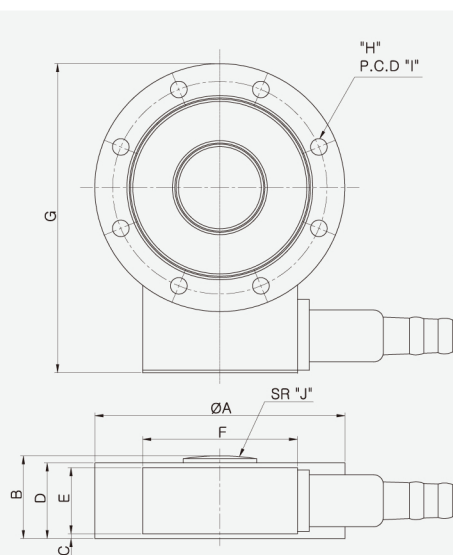
Cable

- Braided shield 4-wire round cable with PVC - jacket



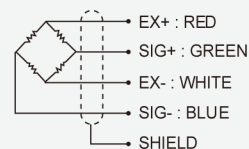
CASSSCIENCE.COM

DIMENSIONS



Model	Capacity	A	B	C	D	E	F	G	H	I	J
CLSC - 2 T	2 tf	105	35	2	32	30	65	131	8 - Ø 7.0	90	100
CLSC - 5 T	5 tf										
CLSC - 10 T	10 tf	120	45	2	42	38	68	150.4	4 - Ø 9.0	104.5	100
CLSC - 20 T	20 tf										
CLSC - 50 T	50 tf	190.5	57.2	6.4	50.8	38	68	225.2	12 - Ø 13.5	159	200
CLSC - 100 T	100 tf	209.2	82.6	19.1	76.2	38	68	244.5	4 - Ø 18.0	171.5	200

Unit : mm



Cable length 5m

SPECIFICATIONS

Max. Capacity		tf	2, 5, 10, 20, 50, 100 tf
Rated output		mV/V	3.0 ± 0.0075
Zero balance		mV/V	0.0 ± 0.03
Combined error		%RO	0.05
Repeatability		%RO	0.02
Creep (30min.)		%RO	0.03
Temperature effect on	Zero value	%RO/10°C	0.03
	Output value	%RO/10°C	0.03
Excitation	Recommended	V	10
	Maximum	V	15
Resistance	Input	Ω	350 ± 3.5
	Output	Ω	350 ± 3.5
	Insulation	MΩ	> 2,000 @50V DC
Compensated temp. range		°C	-10 ~ +40
Operating temp. range		°C	-20 ~ +80