



FEATURES

- Tension application
- Suitable for hanging scales
- Easy installation
- Convenient assembly
- Protection class IP67

Material

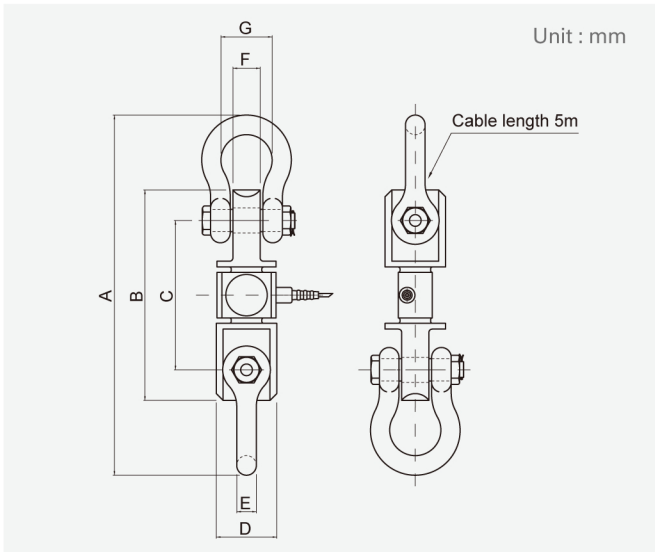
- Nickel plated steel

Cable

- Braided shield 4-wire round cable with PVC - jacket

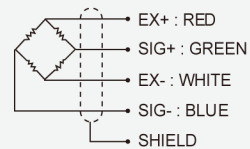
CASSCIENCE.COM

DIMENSIONS



Capacity	A	B	C	∅D	E	F	G	SHACKLE
10 tf	530	310	220	87	28	40	75	B.B(1 - 1/4")
20 tf	796	400	285	120	45	70	127	B.B(1 - 3/4")
30 tf	868	428	288	120	50	75	146	B.B(2")
50 tf	1106	508	342	148	67	98	184	B.B(2 - 1/2")

*Special Order Made : 70 tf ~ 200 tf



SPECIFICATIONS

Max. Capacity		tf	10, 20, 30, 50 tf
Rated output		mV/V	2.0 Nominal
Zero balance		mV/V	0 ± 0.2
Combined error		%RO	0.03
Repeatability		%RO	0.02
Creep (30min.)		%RO	0.03
Temperature effect on	Zero value	%RO/10°C	0.03
	Output value	%RO/10°C	0.03
Excitation	Recommended	V	10
	Maximum	V	15
Resistance	Input	Ω	760 ± 40
	Output	Ω	700 ± 7
	Insulation	MΩ	> 2,000 @50V DC
Compensated temp. range		°C	-10 ~ +40
Operating temp. range		°C	-20 ~ +80