

## FEATURES

- High resolution digital output
- Digital output via RS-485
- Easy installation and Effective maintenance
- The united structure between sensing and mounting part
- Internal diagnostics

## Material

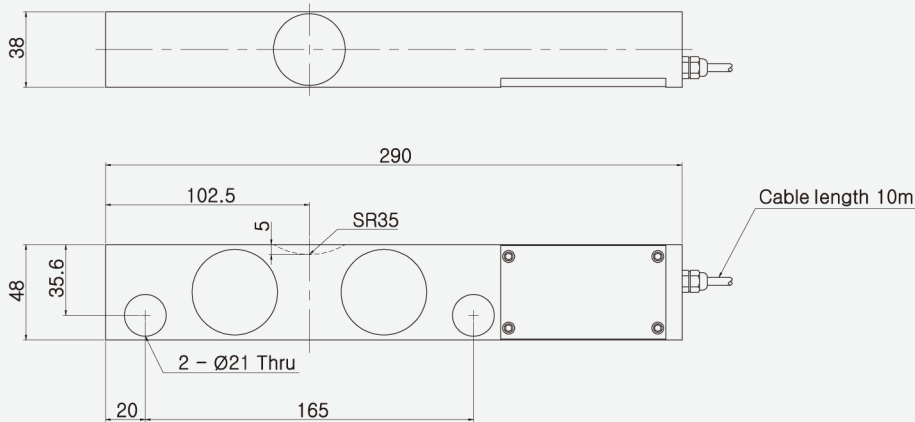
- Nickel plated steel

## Cable Code

- Ex +(12V) : Red
- Ex - (GND) : White
- RTx + : Green
- RTx - : Blue

## DIMENSIONS

Unit : mm



## SPECIFICATIONS

Rated Capacity			10, 15 tf
Rated output		Counts	200,000 ± 100
Zero balance		%RO	± 1
Combined error		%RO	0.03
Repeatability		%RO	0.02
Creep for 30min.		%RO	0.03
Temperature effect on	Zero value	%RO/10°C	0.03
	Output value	%RO/10°C	0.015
Excitation Voltage		V	12
Resistance			
	Insulation	MΩ	> 2,000 @50V DC
Communication			RS - 485 (4 wire)
Max.Transmission cable		m	1,000
Compensated temp. range		°C	-10 ~ +40
Operating temp. range		°C	-20 ~ +80