



#### FEATURES

- High resolution digital output
- Digital output via RS-485
- Easy installation and Effective maintenance
- The united structure between sensing and mounting part
- Internal diagnostics

#### Material

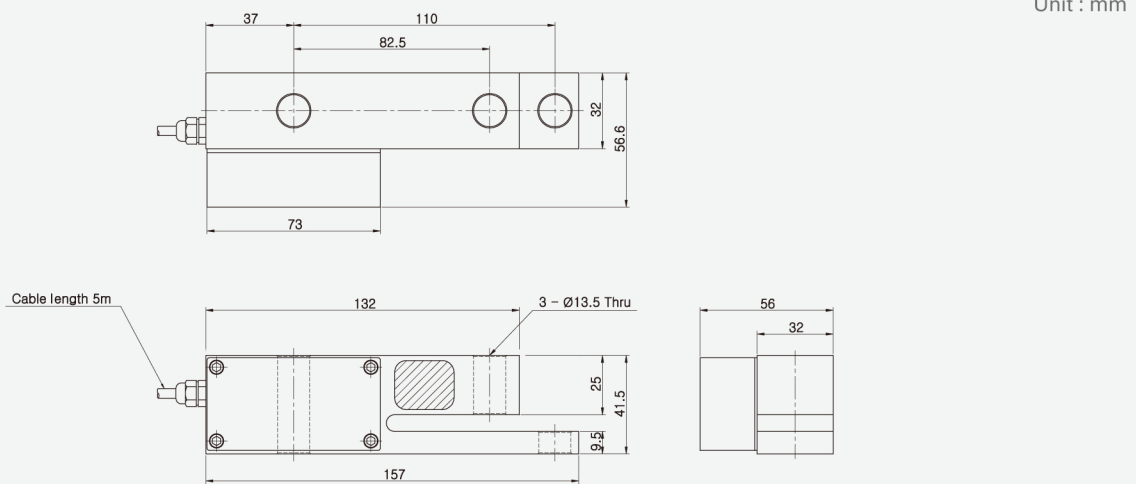
- Anodized Aluminum ( 100 kgf , 150 kgf )
- Nickel plated steel : 250 kgf 2 tf

#### Cable Code

- Ex +(12V) : Red
- Ex - (GND) : White
- RTx + : Green
- RTx - : Blue

CASSCIENCE.COM

#### DIMENSIONS



#### SPECIFICATIONS

Rated Capacity		100,150, 250, 300, 500 kgf, 1 ton, 2 ton	
Rated output	Counts	200,000 ± 100	
Zero balance	%RO	± 1	
Combined error	%RO	0.02	
Repeatability	%RO	0.01	
Creep for 30min.	%RO	0.01	
Temperature effect on	Zero value	%RO/10°C	0.03
	Output value	%RO/10°C	0.015
Excitation Voltage	V	12	
Resistance			
	Insulation	MΩ	> 2,000 @50V DC
Communication		RS - 485 (4 wire)	
Max.Transmission cable	m	1,000	
Compensated temp. range	°C	-20 ~ +80	